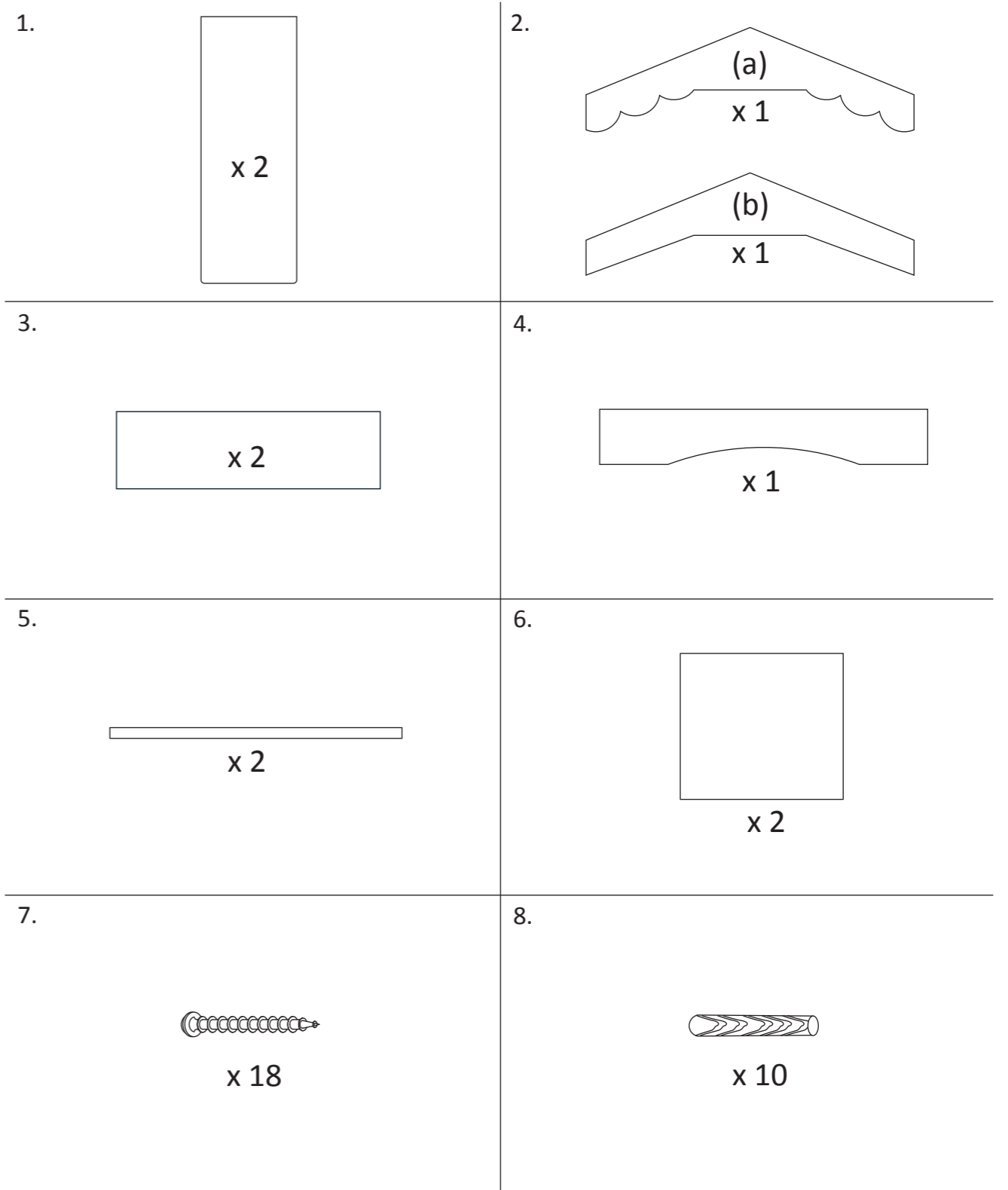


- A. Start with one side panel (1) and screw in position the shelves (3) with the screws (7). Making sure you position the poles (5) into the holes. Connect the top panel front (2a) and top panel back (2b) and the bottom panel (4) with wooden dowels (8) and screws (7).
- B. Then get the other side panel (2) and fix the shelves (3) with screws and the top panel front (2a) and top panel back (2b) & bottom panel (4) with wooden dowels (8) and screws (7) in position.
- C. Then place on top the roof panel (6) and screw in with screws (7).

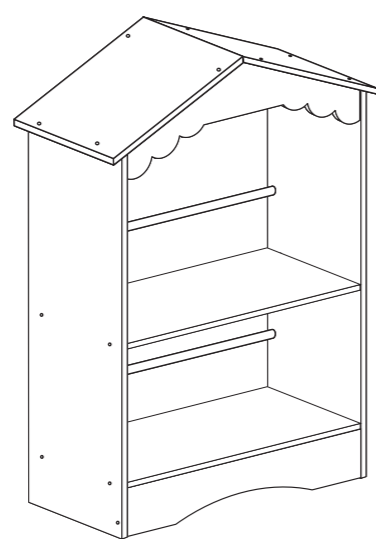
3

PARTS LIST



1. Side Panel
3. Shelf Panel
5. Wooden pole
7. Screws
2. Top Panel (a) Front (b) Back
4. Front Base Panel
6. Roof Panel
8. Wooden Dowels

2



The bookcase is now complete, please read the user guide notes to maintain the unit to its highest standard.

USER GUIDE

Thank you for choosing a KIDSAW product. Please take a little time to read the important safety notes detailed below. This will ensure many years of happy, safe use.

SAFETY: TAKE NOTE

- Keep this product away from fire and direct heat sources.
- Only use spares approved by KIDSAW.
- Always empty the bookcase before dismantling.
- Adult assembly required.

CARE & MAINTENANCE

- All surfaces should be wiped over using a damp cloth to clean.
- Never clean with abrasive, ammonia based, bleach or spirit type cleaner

4

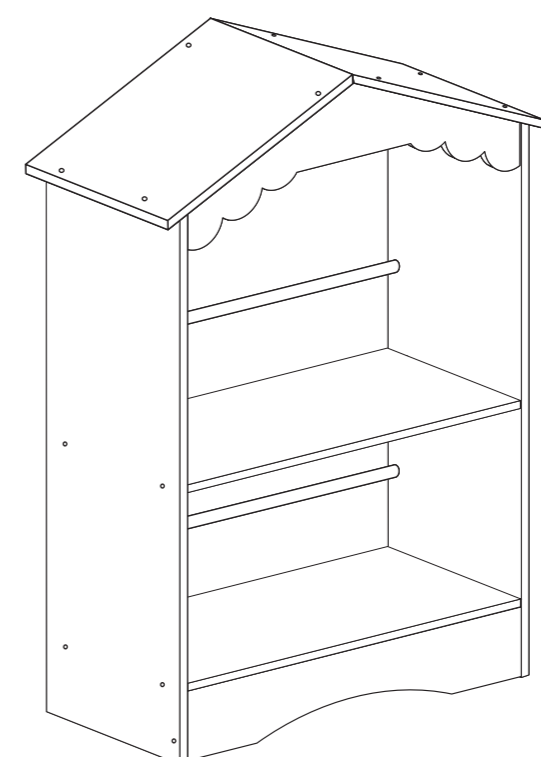
IMPORTANT
KEEP FOR FUTURE REFERENCE & READ CAREFULLY

COUNTRY COTTAGE BOOKCASE

Follow us on
facebook



www.facebook.com/kidsaw



INSTRUCTIONS

KIDSAW[®]
MAKES FURNITURE CHILDS' PLAY

Kidsaw Ltd
Tel: +44 (0)1455 848969 Email: support@kidsaw.co.uk
www.kidsaw.co.uk