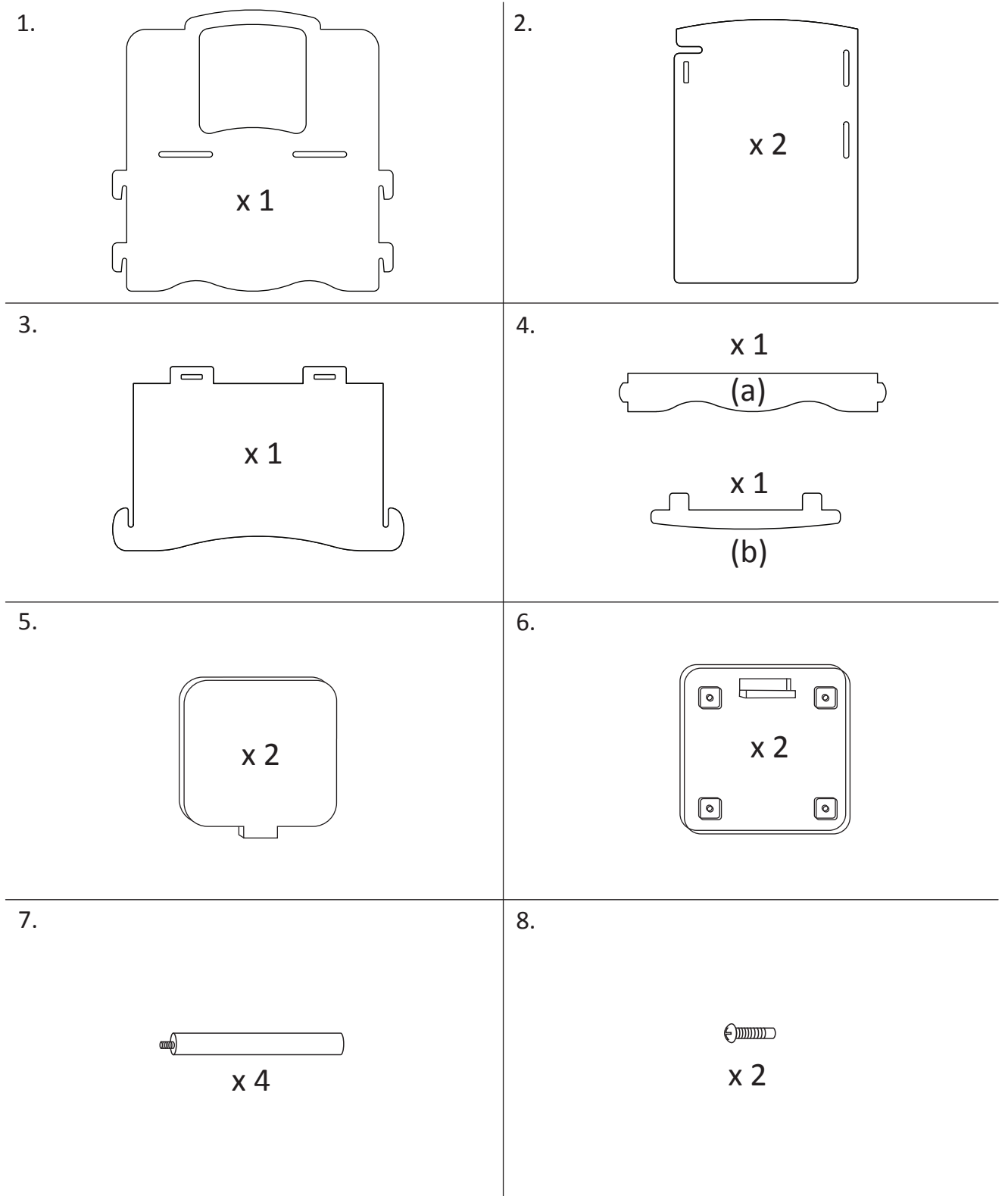


- A. take the back panel (1) and slot in the side panels (2).
 B. Pull aside the side panels (2) just a little and insert the front plinth (4a), then pull back together.
 C. Slide in the top panel (3), then once in place insert the T-bar (4b) to secure.
 D. With the chair base (2) slot in the chair back (3) in the hole and insert 2 screws (6) to secure. Repeat this on both chairs.
 E. Screw in the chair legs (5) into the blocks on the bottom of the chair base (2).

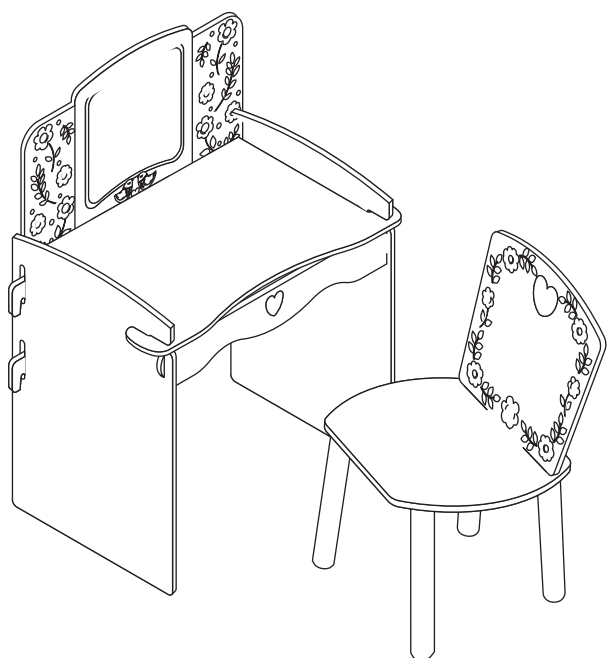
3

PARTS LIST



1. Back panel
 2. Side panels
 3. Top panel
 4. (a) Front Plinth (b) T-Bar
 5. Chair back
 6. Chair base
 7. Chair Legs
 8. Screws

2



The dressing table & chairs are now complete, please read the user guide notes to maintain the unit to its highest standard.

USER GUIDE

Thank you for choosing a KIDSAW product. Please take a little time to read the important safety notes detailed below. This will ensure many years of happy, safe use.

SAFETY: TAKE NOTE

- Keep this product away from fire and direct heat sources.
- Only use spares approved by KIDSAW.
- Always clear the dressing table & chairs before dismantling.
- Adult assembly required.

CARE & MAINTENANCE

- All surfaces should be wiped over using a damp cloth to clean.
- Never clean with abrasive, ammonia based, bleach or spirit type cleaner

4

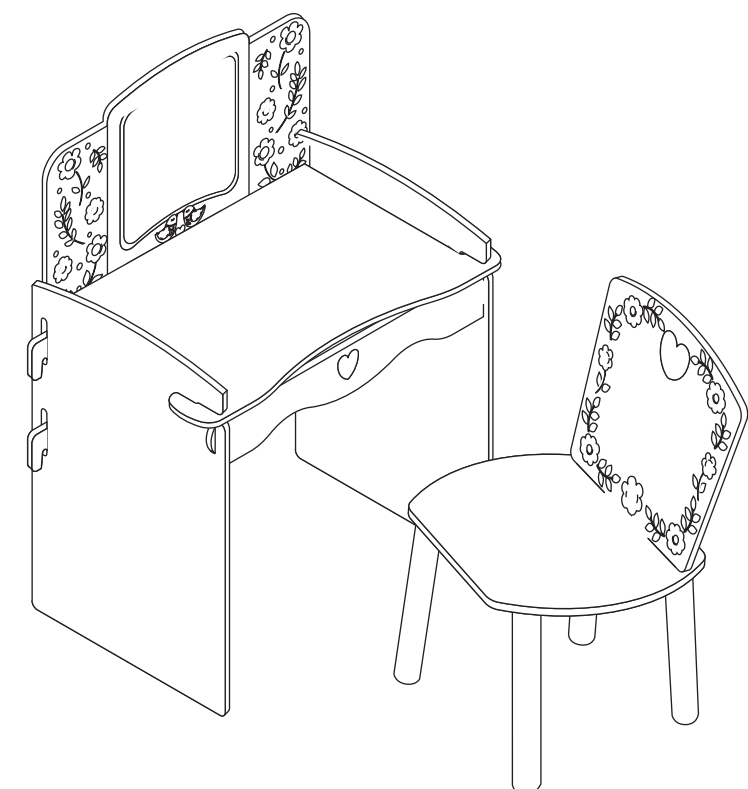
IMPORTANT
 KEEP FOR FUTURE REFERENCE & READ CAREFULLY

COUNTRY COTTAGE DRESSING TABLE & CHAIR

Follow us on
 facebook



www.facebook.com/kidsaw



INSTRUCTIONS

KIDSAW[®]
 MAKES FURNITURE CHILDS' PLAY

Kidsaw Ltd
 Tel: +44 (0)1455 848969 Email: support@kidsaw.co.uk
www.kidsaw.co.uk