

ASSEMBLY INSTRUCTIONS

BERLIN OTTOMAN 4' BED

IMPORTANT: READ THESE INSTRUCTIONS CAREFULLY BEFORE ASSEMBLING OR USING YOUR BERLIN OTTOMAN 4' BED FRAME.

PLEASE KEEP THESE INSTRUCTIONS FOR FUTURE REFERENCE.

HEALTH & SAFETY:

DO NOT jump on this bed frame.

DO NOT use this bed frame if any parts are missing, damaged or worn.

DO NOT use this bed frame unless all fixings are secured.

Please keep small parts out of reach of children.

Always use on a level, even surface.

WARNING: If this bed is placed on a non-carpeted floor you must place some protection under all legs to stop the bed frame from moving. If this is not adhered to there is no guarantee if the bed frame collapses.

WARNING: Take care when assembling the base, assemble the ottoman as closed to its final position. The Ottoman has a powerful mechanism and after assembly should only be opened when the mattress is in place.

CARE & MAINTENANCE:

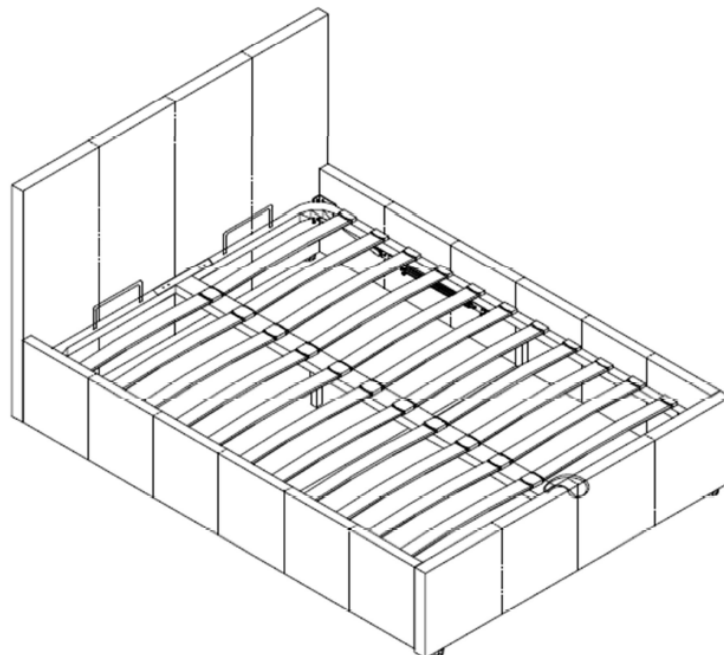
Assemble in the room of use.

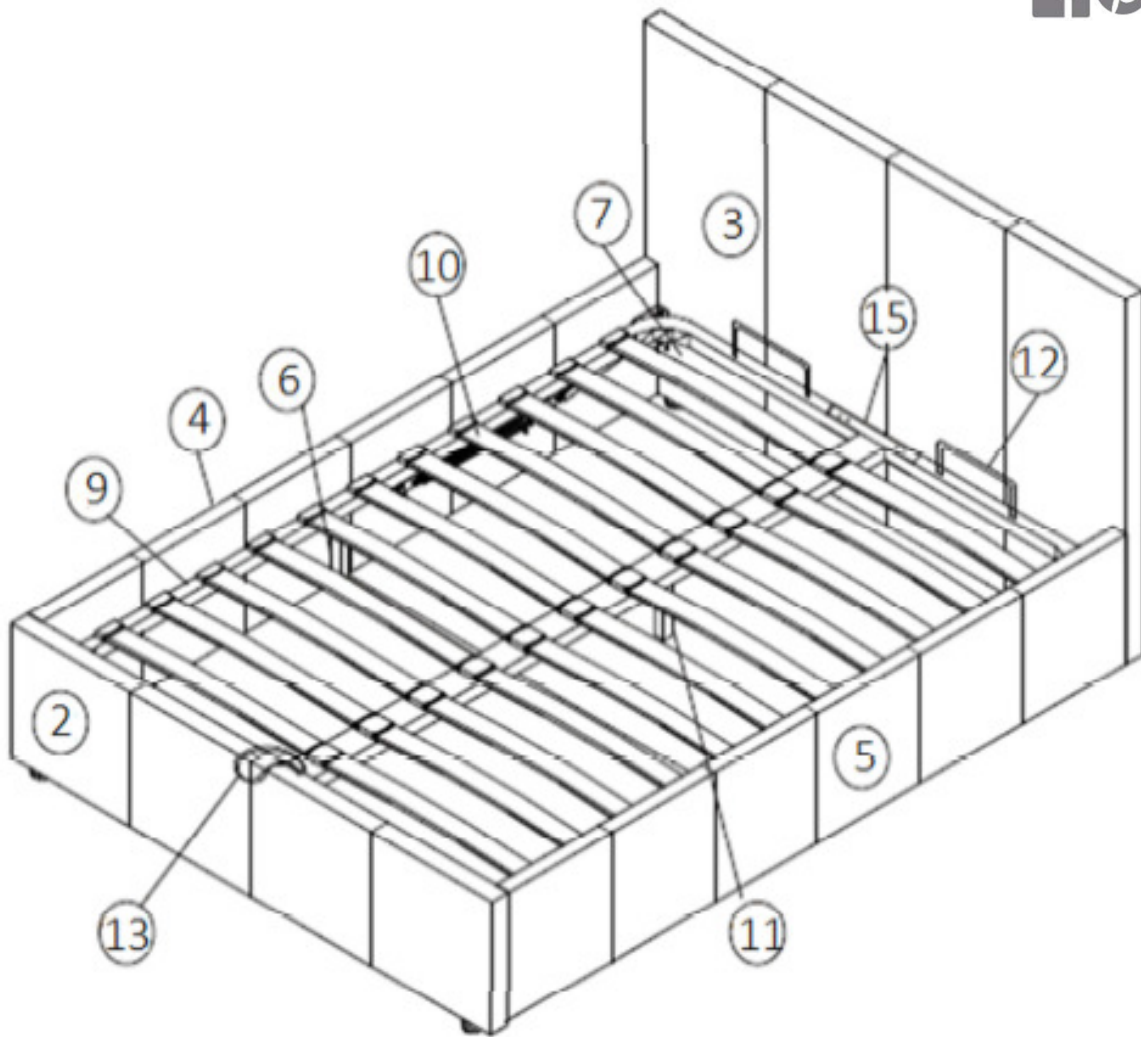
Periodically check all screws & fixings to ensure they are secure.



DO NOT push the bed frame as this will damage the legs.

Always lift the bed with two people to reposition.

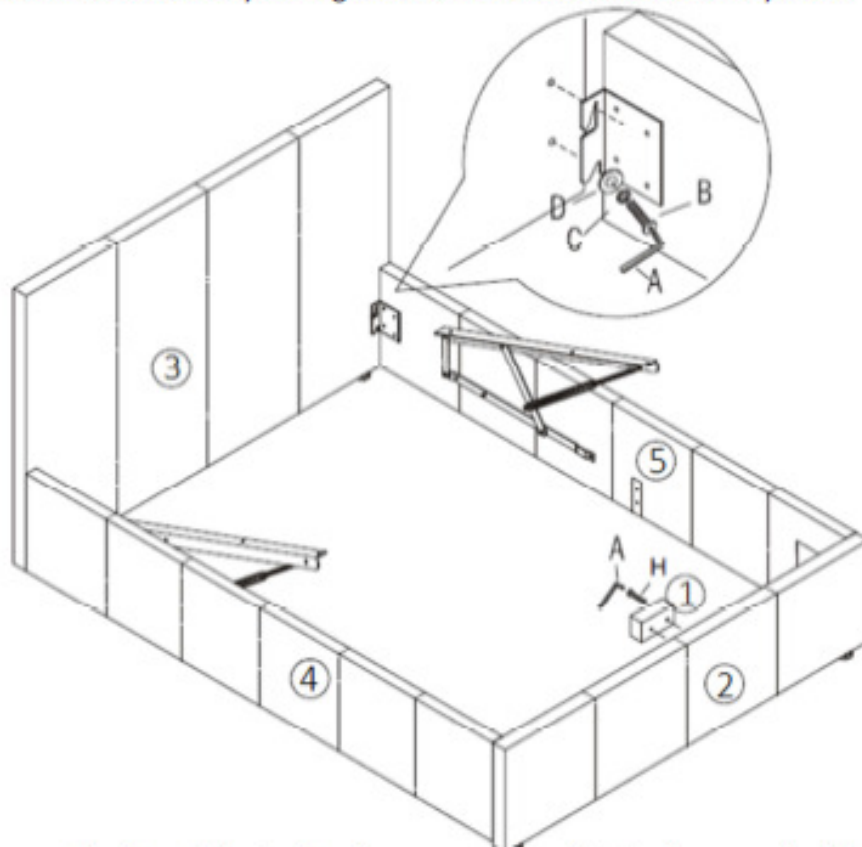
Keep any sharp objects away from the frame.



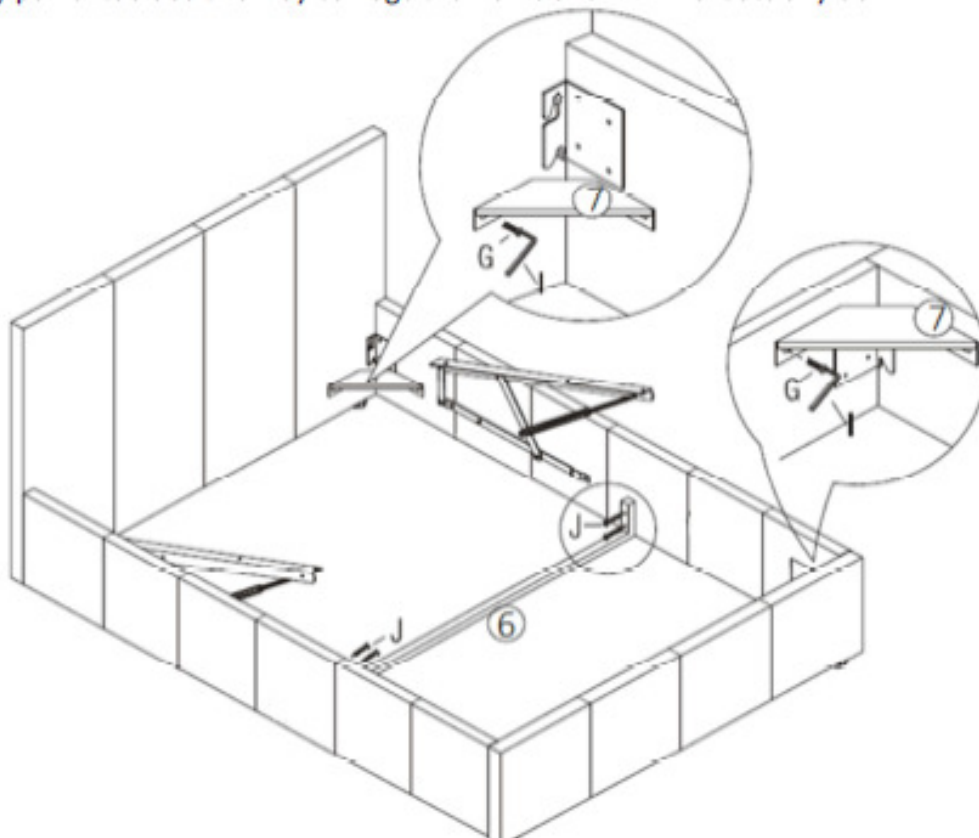


Parts List				Hardware List (found in box 2)			
Part	Description	Box	Qty	Part	Description		Qty
1	Wooden Block	3	1	A	M5 Allen Key		1
2	Footend	3	1	B	M8 x 30 mm Bolt		8
3	Headend	1	1	C	M8 Spring Washer		8
4	Left Side Rail	2	1	D	M8 x 22 mm Flat Washer		8
5	Right Side Rail	2	1	E	M8 x 14 mm Nut		16
6	Crossbar	3	1	F	M14 Spanner		1
7	Corner Bracket	2	4	G	M6 x 20 mm Bolt		16
9	Metal Frame	3	1	H	M8 x 40 mm Bolt		8
10	Slat	3	26	I	M4 Allen Key		1
11	Support Leg	3	1	J	M4 x 60 mm Screw		4
12	Metal Hook	3	2	K	M8 x 80 mm Bolt		2
13	Pull Strap	3	1	L	M8 x 45 mm Bolt		8
14	Fabric Base	3	1	M	Slat Cap		52
15	U Shape Metal	3	2	** You will need a screwdriver (not provided).			

Step 1: Fix the left side rail (4) and right side rail (5) to the headend (3) and footend (2) using hardware parts A, B, C and D. Attach the wooden block (1) using hardware parts A and H.
DO NOT use any power tools as this may damage the frame and will invalidate any claim.

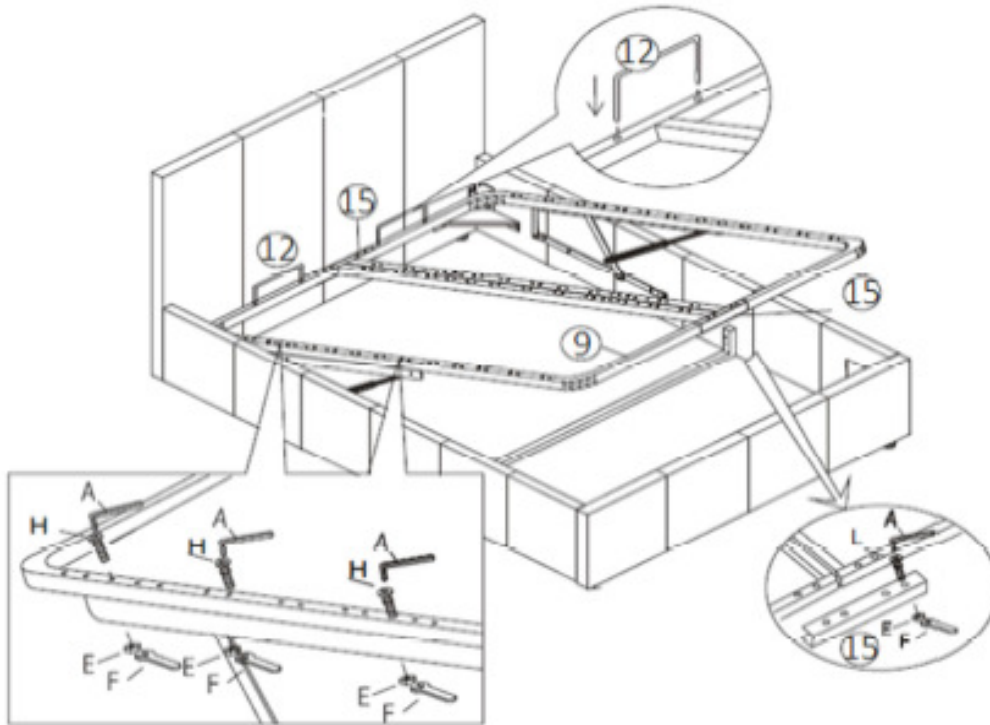


Step 2: Attach the corner brackets (7) using hardware parts G and I. Fix the cross bar (6) to the side rails using hardware part J and a screwdriver (not provided).
DO NOT use any power tools as this may damage the frame and will invalidate any claim.



Step 3: Insert the metal hooks (12), then fix the u shape metal (15) to both ends of the frame using hardware parts A, E, F and L. Attach the metal frame (9) to the gas lifts pre-fixed to the side rails using hardware parts A, E, F and H.

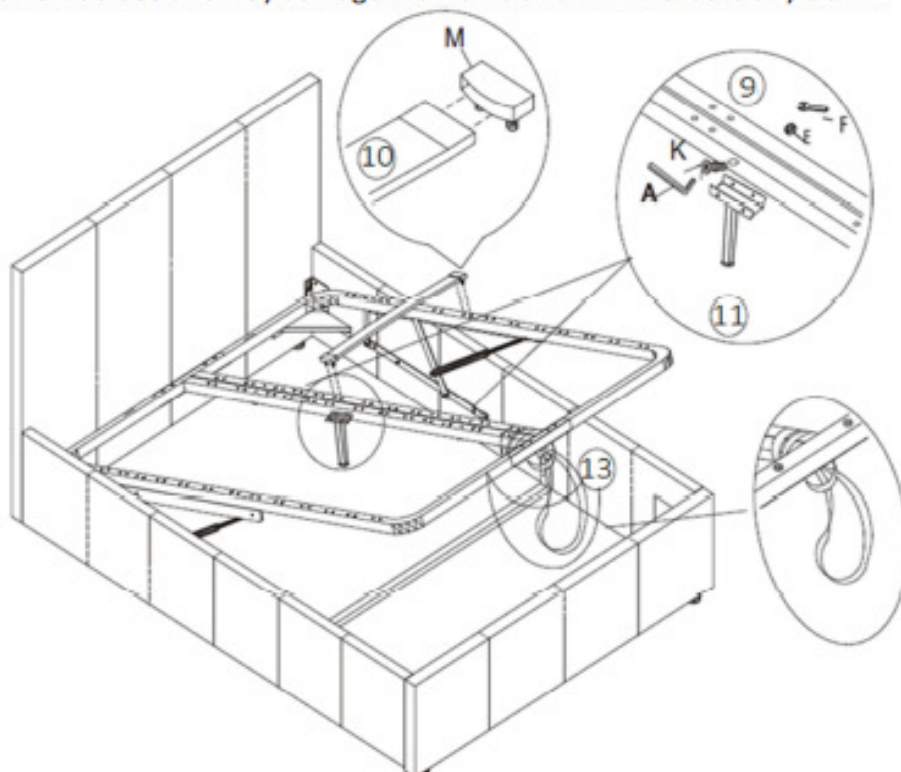
DO NOT use any power tools as this may damage the frame and will invalidate any claim.



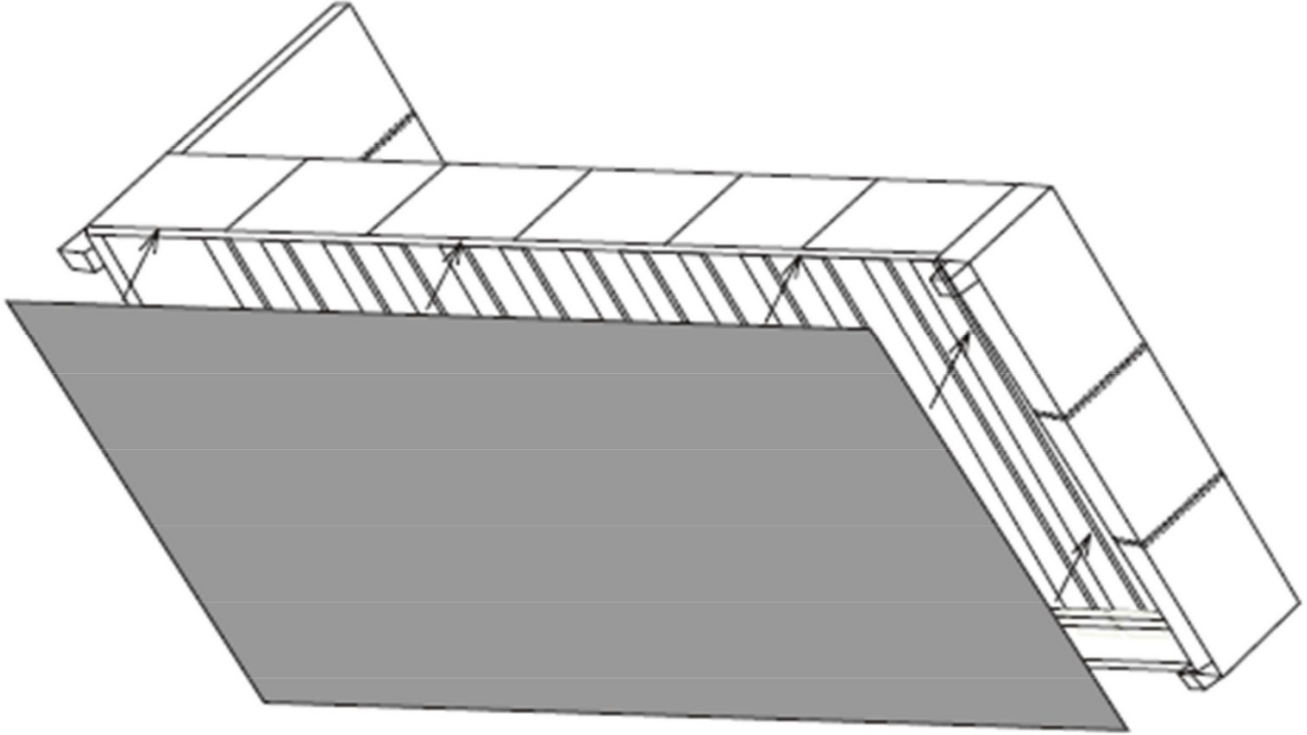
WARNING: Take care when assembling the base, assemble the ottoman as closed to its final position. The Ottoman has a powerful mechanism and after assembly should only be opened when the mattress is in place.

Step 4: Attach the support leg (11) using hardware parts A, E, F and K. To attach the pull strap (13) place it beneath the frame, then pull the strap on the inner side through the strap on the outer side to form a knot. Place hardware part M on each end of each slat (10) then press firmly into the metal frame (9).

DO NOT use any power tools as this may damage the frame and will invalidate any claim.



Step 5: Tilt the bedframe onto its side and attach the fabric base (11).
DO NOT use any power tools as this may damage the frame and will invalidate any claim.



Additional Information:

- For complete product information, images and dimension diagrams please visit the website www.birlea.com
- If you have any issues with your item please contact the retailer directly you purchased it from who will be able to resolve any issues with Birlea.
- Why don't you send us photos of your assembled furniture to info@birlea.com to be shared in our #birleahome feature on Instagram.