



Birlea

Suppliers of inspiration

Vendor: S000139



ASSEMBLY INSTRUCTIONS **LYNX 3 DOOR 2 DRAWER ROBE**

IMPORTANT: READ THESE INSTRUCTIONS CAREFULLY BEFORE ATTEMPTING TO ASSEMBLE OR USE YOUR LYNX 3 DOOR 2 DRAWER ROBE.

PLEASE KEEP THESE INSTRUCTIONS FOR FUTURE REFERENCE.

ASSEMBLY:

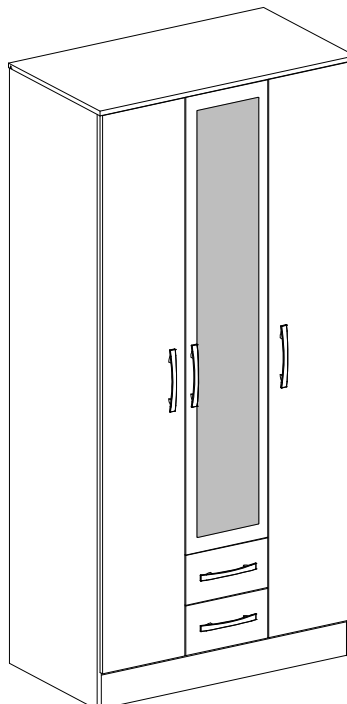
Assembly should be carried out with this item laying flat, not standing upright.
Assemble on a soft, clean surface to prevent damages.
To erase the numbers printed on the pieces, use the rubber into the accessories pack.

HEALTH & SAFETY:

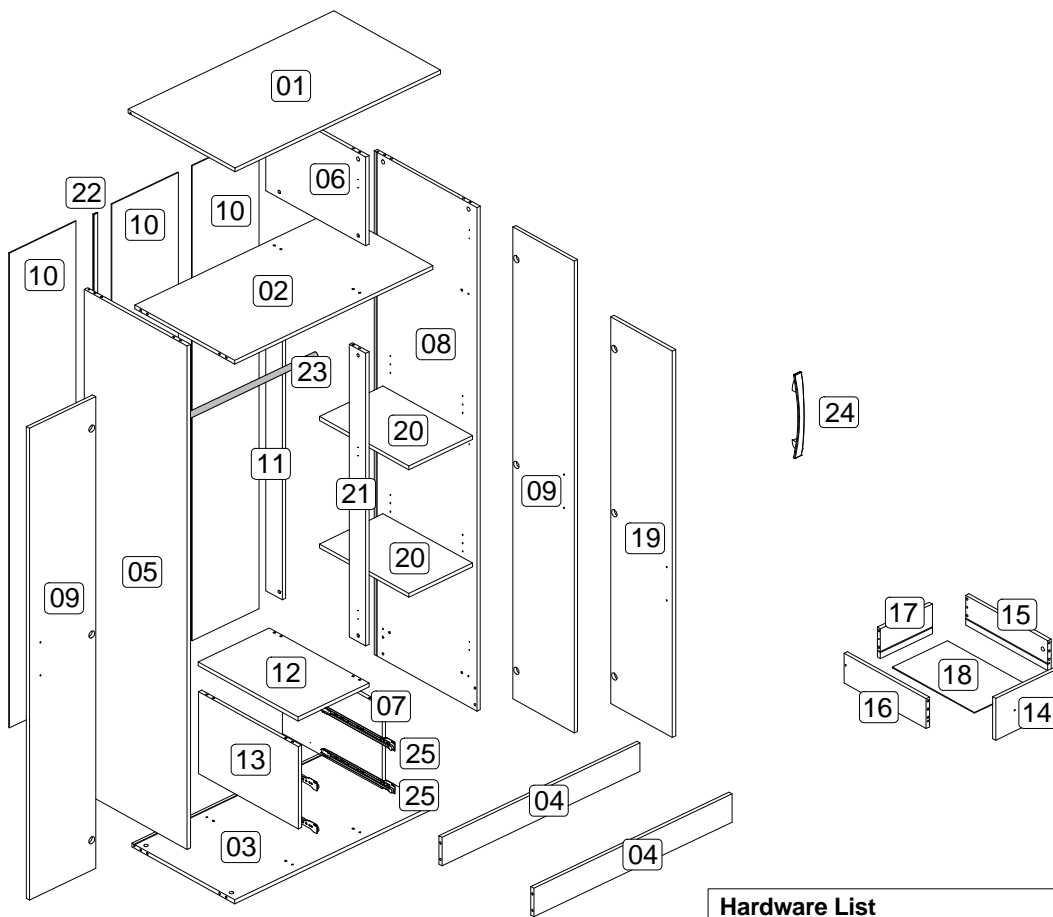
DO NOT use this wardrobe if any parts are missing, damaged or worn.
DO NOT use this wardrobe unless all fixings are secured.
Always use on a level, even surface.

CARE & MAINTENANCE:

Periodically check all screws & fixings to ensure they are secure.
DO NOT push the wardrobe as this will damage the base.
Always lift the wardrobe with two people to reposition.
Keep any sharp objects away from the wardrobe.



www.birlea.com

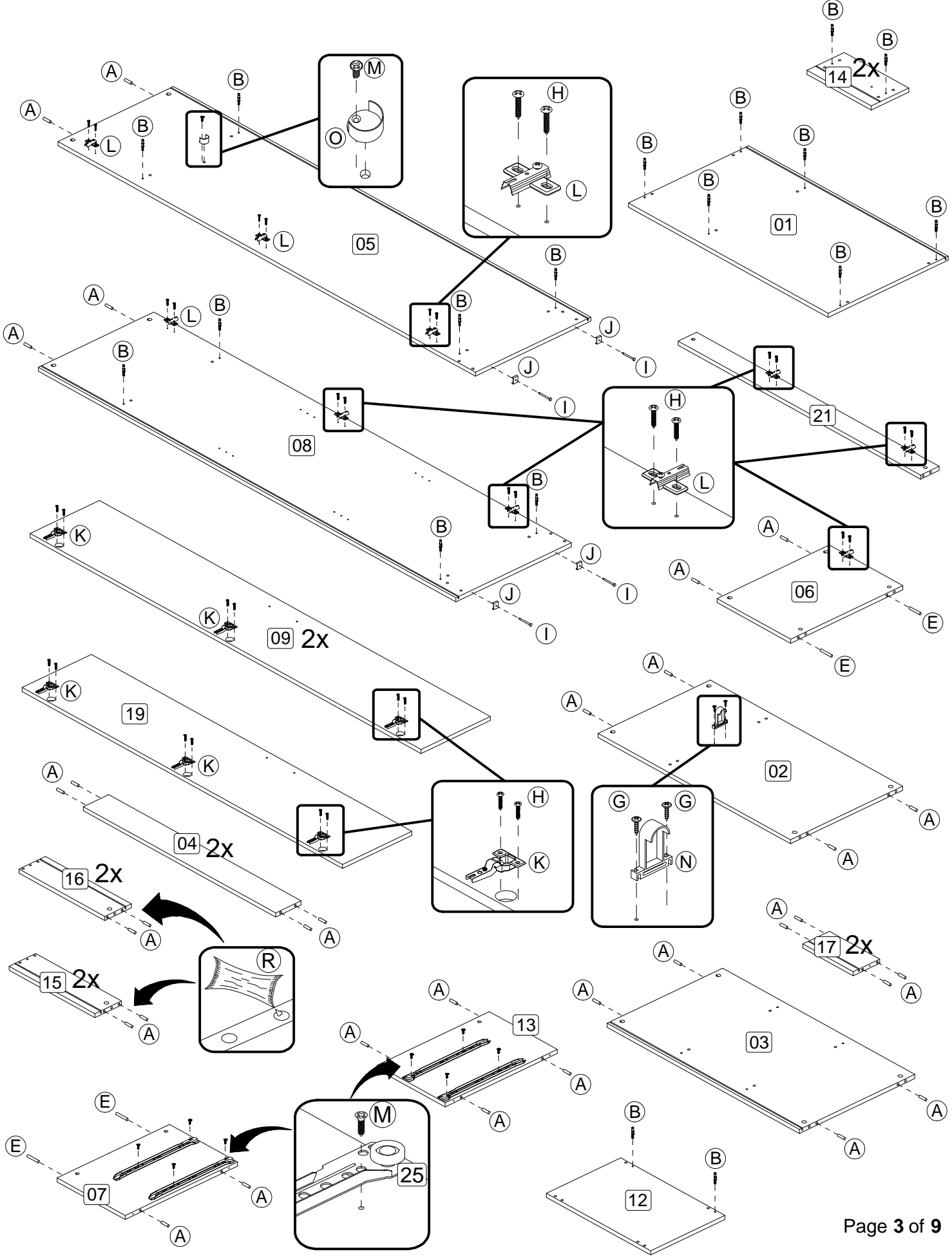


Parts List			
Part	Description	Box	Qty
01	Top Panel	1	1
02	Shelf	1	1
03	Base Panel	1	1
04	Plinth	2	2
05	Left Panel	1	1
06	Shelf Divider	1	1
07	Drawer Cabinet - Right Panel	1	1
08	Right Panel	1	1
09	Door	2	2
10	Back Panel	2	3
11	Back Support	2	1
12	Drawer Cabinet - Top Panel	1	1
13	Drawer Cabinet - Left Panel	1	1
14	Drawer Front	1	2
15	Right Side Drawer Panel	1	2
16	Left Side Drawer Panel	1	2
17	Back Drawer Panel	1	2
18	Drawer Base	1	2
19	Mirroed Door	2	1
20	Shelf	1	2
21	Front Support	2	1
22	Spine	1	1
23	Hanging Rail	2	1
24	Handles	2	5
25	Drawer Runners	2	4

Hardware List			
Part	Description		Qty
A	8 x 30mm Wooden Dowel		44
B	Simple Minifix Screw		20
C	Cam Lock		28
D	Plastic Cap		24
E	8 x 50mm Wooden Dowel		4
F	3.5 x 25mm Screw		10
G	3.5 x 20mm Screw		2
H	3.5 x 14mm Screw		37
I	10 x 10mm Tack		11
J	Small Plastic Foot		4
K	Hinge		9
L	Hinge Bracket		9
M	3 x 14mm Screw		25
N	Close Rail Support		1
O	Rail Support		1
P	Double Minifix Screw		4
Q	Metal Claw		7
R	Glue		1
S	4.5 x 45mm Screw		8
T	Metalic Shelf Support		8
U	Strap		1
V	Bushing		1
W	5 x 60 mm Screw		1

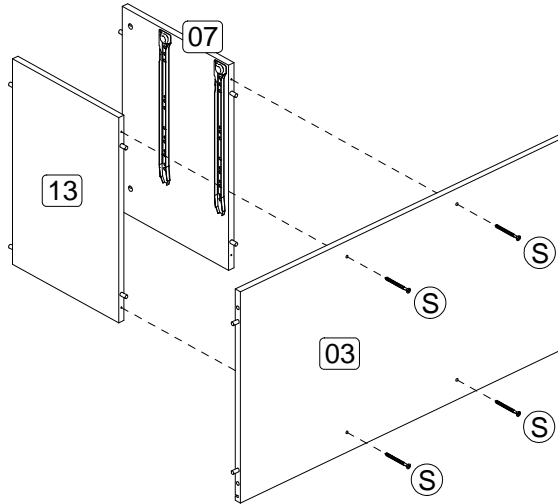
**** You will need a small mallet and a screwdriver for assembly.
** Some screws and wooden dowel may remain.**

Step 1: Prepare these parts for assembly using hardware parts A, B, E, G, H, I, J, K, L, M, N, O and R. You will need to use a small mallet and a screwdriver (not provided). **DO NOT use any power tools as this may damage the frame and will invalidate any claim.**



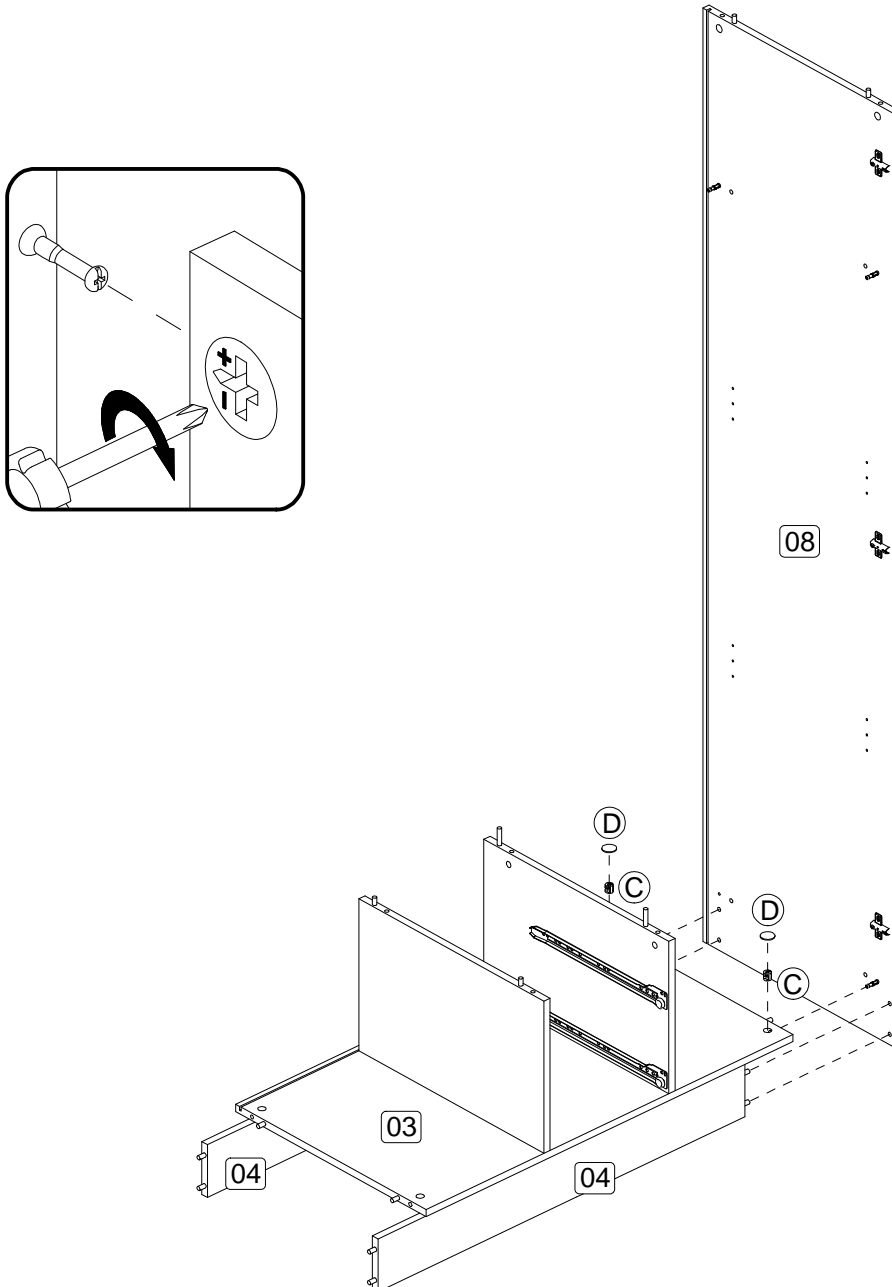
Step 2: Attach the drawer cabinet right panel (7) and drawer cabinet left panel (13) to the base panel (3) using hardware part S and a screwdriver (not provided).

DO NOT use any power tools as this may damage the frame and will invalidate any claim.

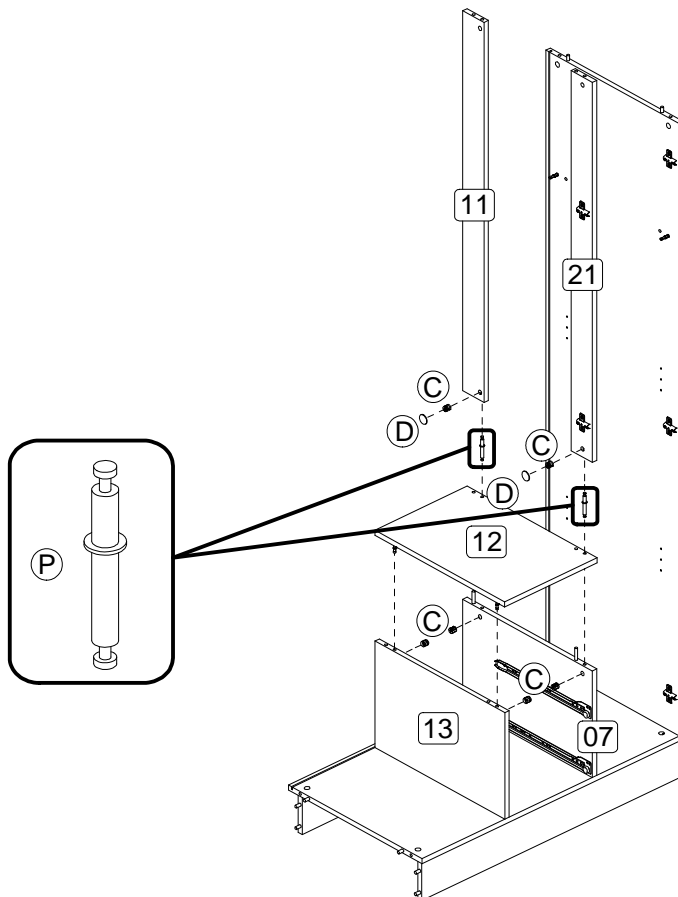


Step 3: Attach the base panel (3) and the plinths (4) to the right panel (8) using hardware parts C and D with a screwdriver (not provided).

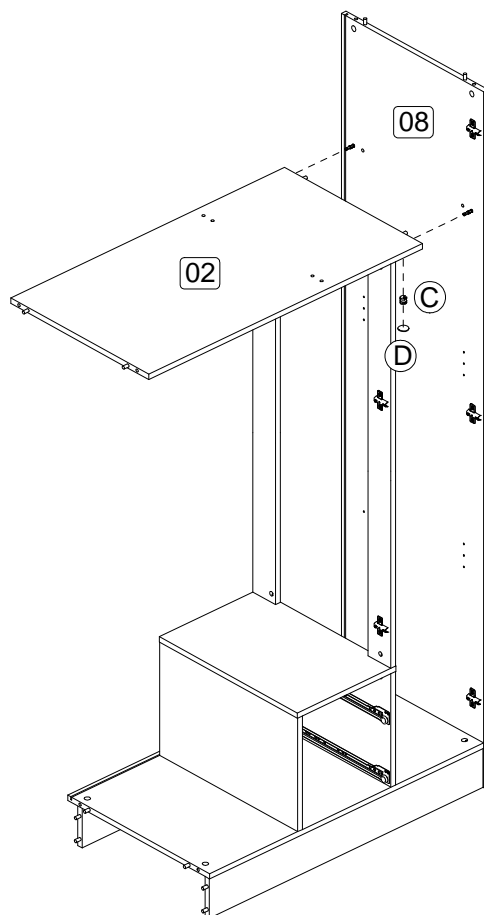
DO NOT use any power tools as this may damage the frame and will invalidate any claim.



Step 4: Attach the drawer cabinet top panel (12) using hardware parts P and C. Attach the front support (21) and back support (11) using hardware parts C and D. You will need to use a screwdriver (not provided). **DO NOT use any power tools as this may damage the frame and will invalidate any claim.**

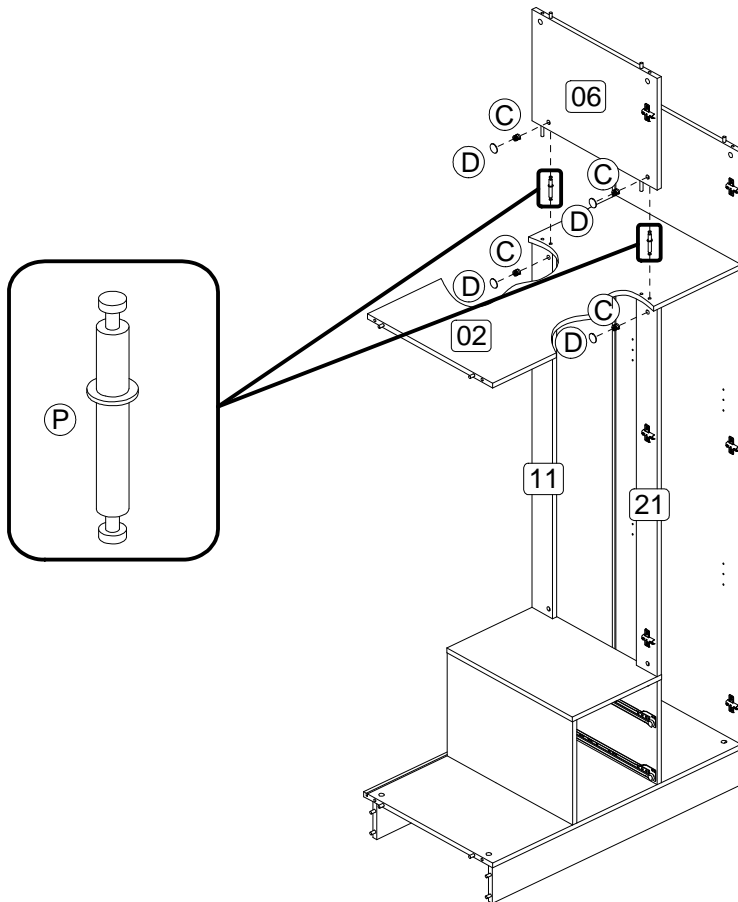


Step 5: Attach the shelf (2) using hardware parts C and D with a screwdriver (not provided). **DO NOT use any power tools as this may damage the frame and will invalidate any claim.**

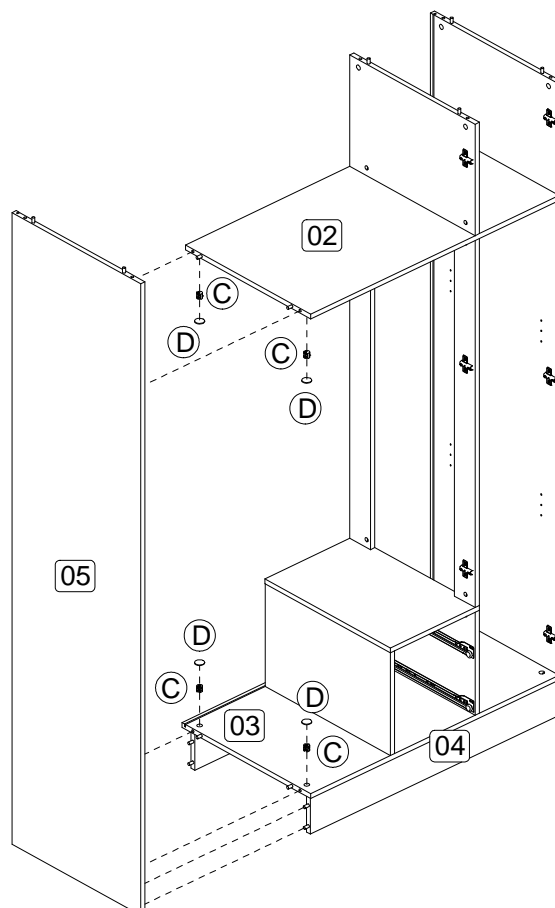


Step 6: Secure the shelf (2) to the back support (11) and front support (21) using hardware parts C,D, and P. Fix the shelf divider (6) to the shelf (2) using hardware parts C and D. You will need to use a screwdriver (not provided).

DO NOT use any power tools as this may damage the frame and will invalidate any claim.

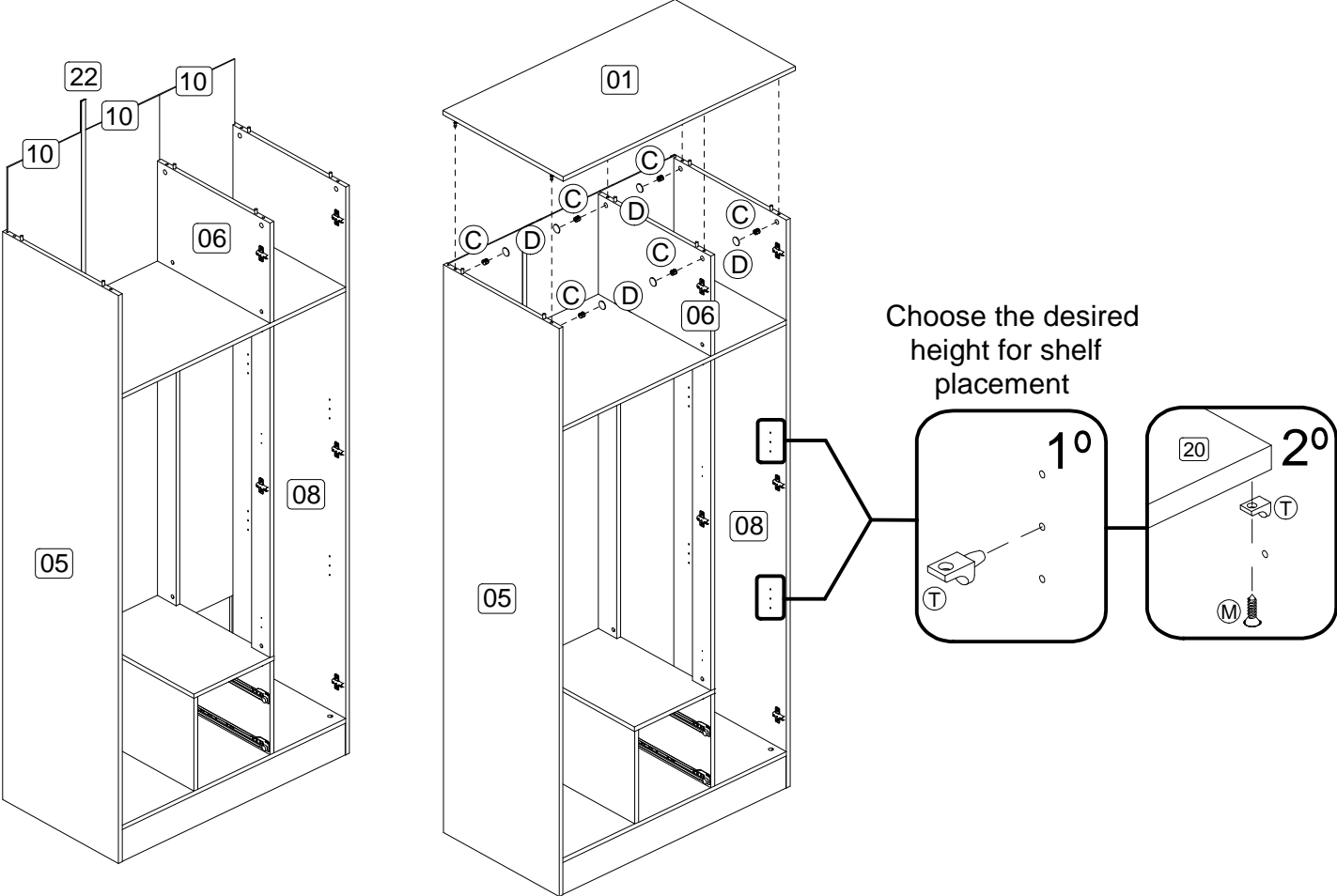


Step 7: Attach the left panel (5) using hardware parts C and D with a screwdriver (not provided).
DO NOT use any power tools as this may damage the frame and will invalidate any claim.



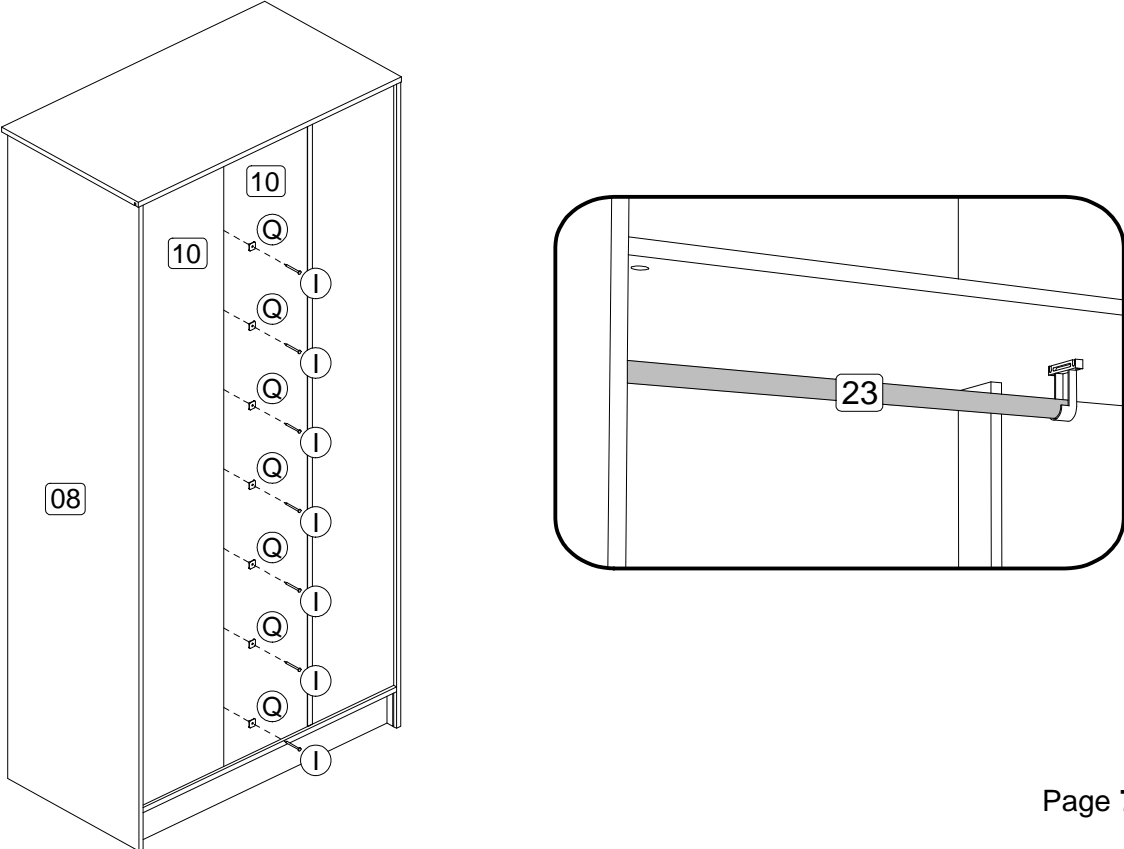
Step 8: Connect two back panels (10) using the spine (22) then position all back panels. Attach the top panel (1) using hardware parts C and D. Insert the shelves (20) using hardware parts M and T.

DO NOT use any power tools as this may damage the frame and will invalidate any claim.



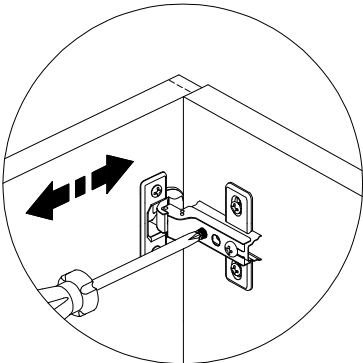
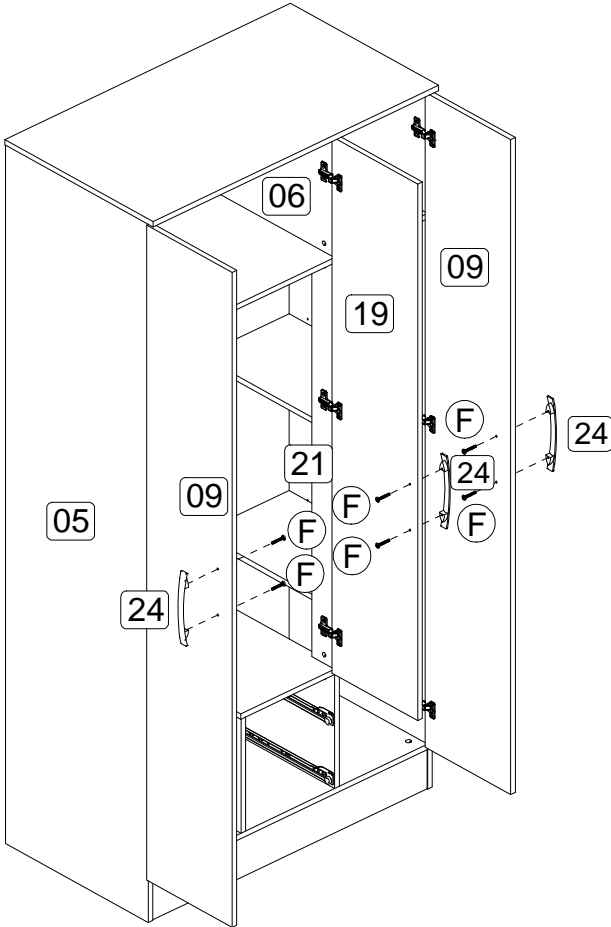
Step 9: Secure the back panels (10) using hardware parts I and Q with a small mallet (not provided) then position the hanging rail (23).

DO NOT use any power tools as this may damage the frame and will invalidate any claim.

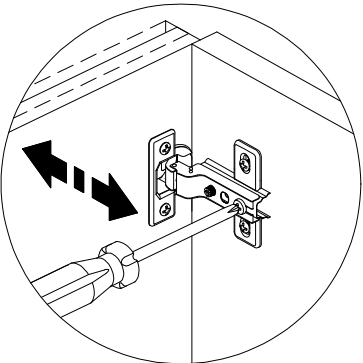


Step 10: Attach the doors (9) and the mirrored door (19) then attach the handles (24) using hardware part F. You will need to use a screwdriver (not provided).

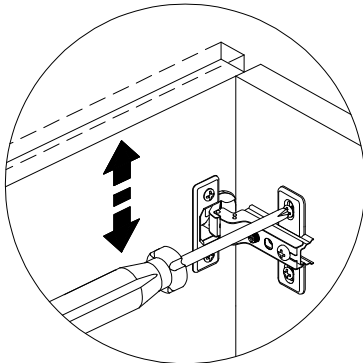
DO NOT use any power tools as this may damage the frame and will invalidate any claim.



Horizontal Adjustment



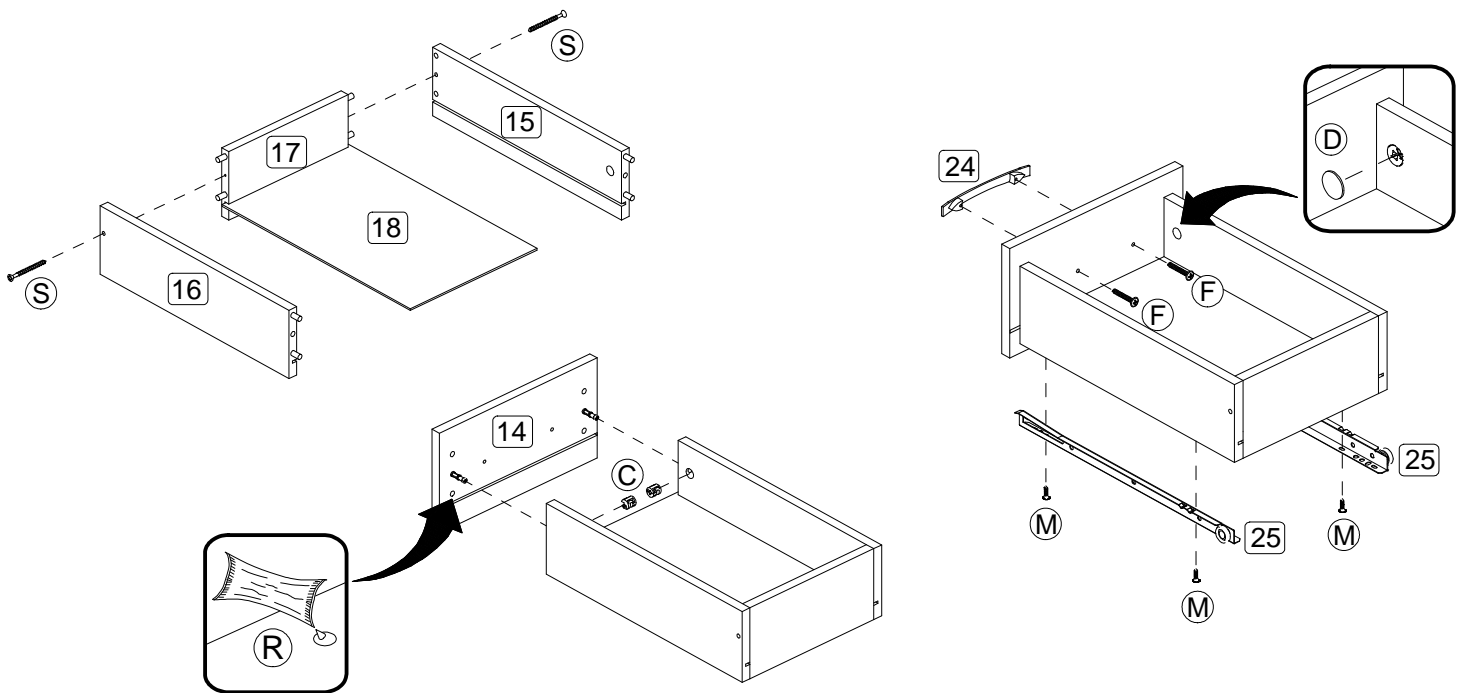
Depth Adjustment



Vertical Adjustment

Step 11: Assemble the drawer components using hardware parts C, D, F, M, R and S with a screwdriver (not provided).

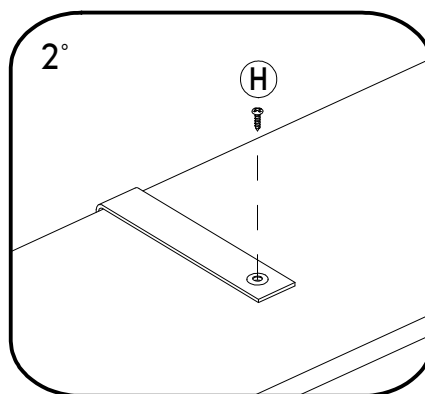
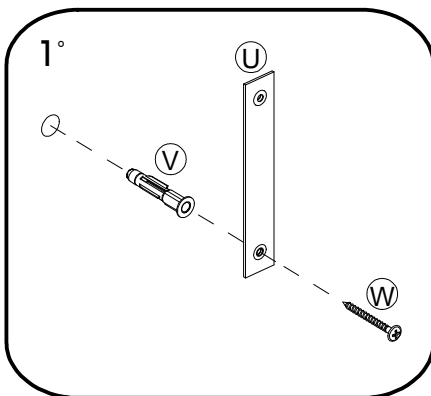
DO NOT use any power tools as this may damage the frame and will invalidate any claim.



Step 12: To secure the item to the wall use hardware parts U, V and H using a screwdriver (not provided). Then attach hardware part H to the item with a screwdriver (not provided).

DO NOT use any power tools as this may damage the frame and will invalidate any claim.

Birlea Furniture advise you use the wall straps provided to further enhance the safety of this product.



Additional Information:

- For complete product information, images and dimension diagrams please visit the website www.birlea.com
- If you have any issues with your item please contact the retailer directly you purchased it from who will be able to resolve any issues with Birlea.
- Why don't you send us photos of your assembled furniture to info@birlea.com to be shared in our #birleahome feature on Instagram.



Birlea

Suppliers of inspiration