



Birlea

Suppliers of inspiration



ASSEMBLY INSTRUCTIONS BERLIN FABRIC 4' BED

IMPORTANT: READ THESE INSTRUCTIONS CAREFULLY BEFORE ASSEMBLING OR USING YOUR BERLIN FABRIC 4' BED FRAME .

PLEASE KEEP THESE INSTRUCTIONS FOR FUTURE REFERENCE.

HEALTH & SAFETY:

DO NOT jump on this bed frame.

DO NOT use this bed frame if any parts are missing, damaged or worn.

DO NOT use this bed frame unless all fixings are secured.

Please keep small parts out of reach of children.

Always use on a level, even surface.

WARNING: If this bed is placed on a non-carpeted floor you must place some protection under all legs to stop the bed frame from moving. If this is not adhered to there is no guarantee if the bed frame collapses.

CARE & MAINTENANCE:

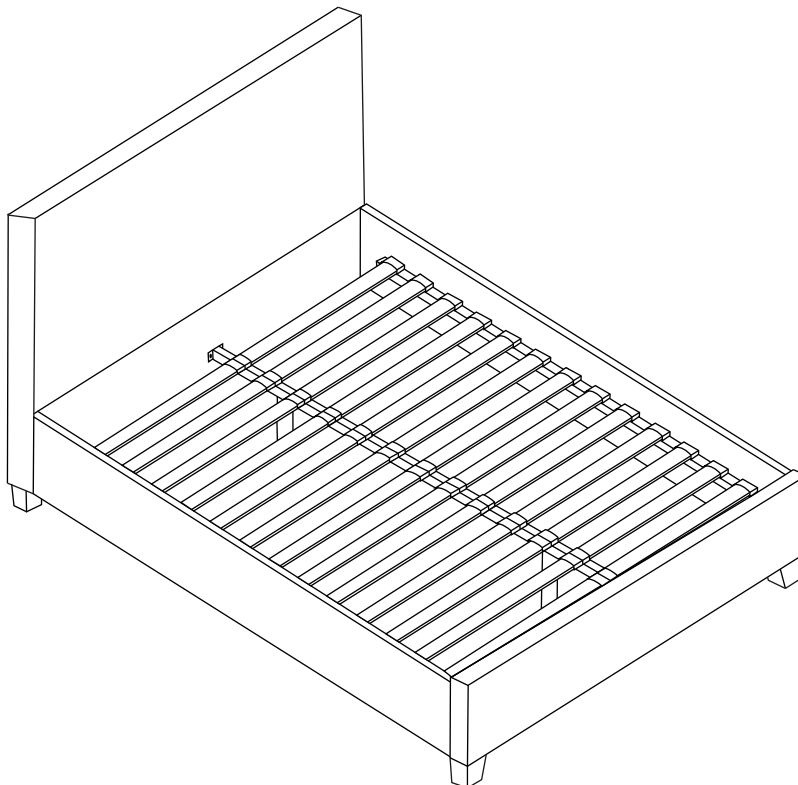
Assemble in the room of use.

Periodically check all screws & fixings to ensure they are secure.

DO NOT push the bed frame as this will damage the legs.

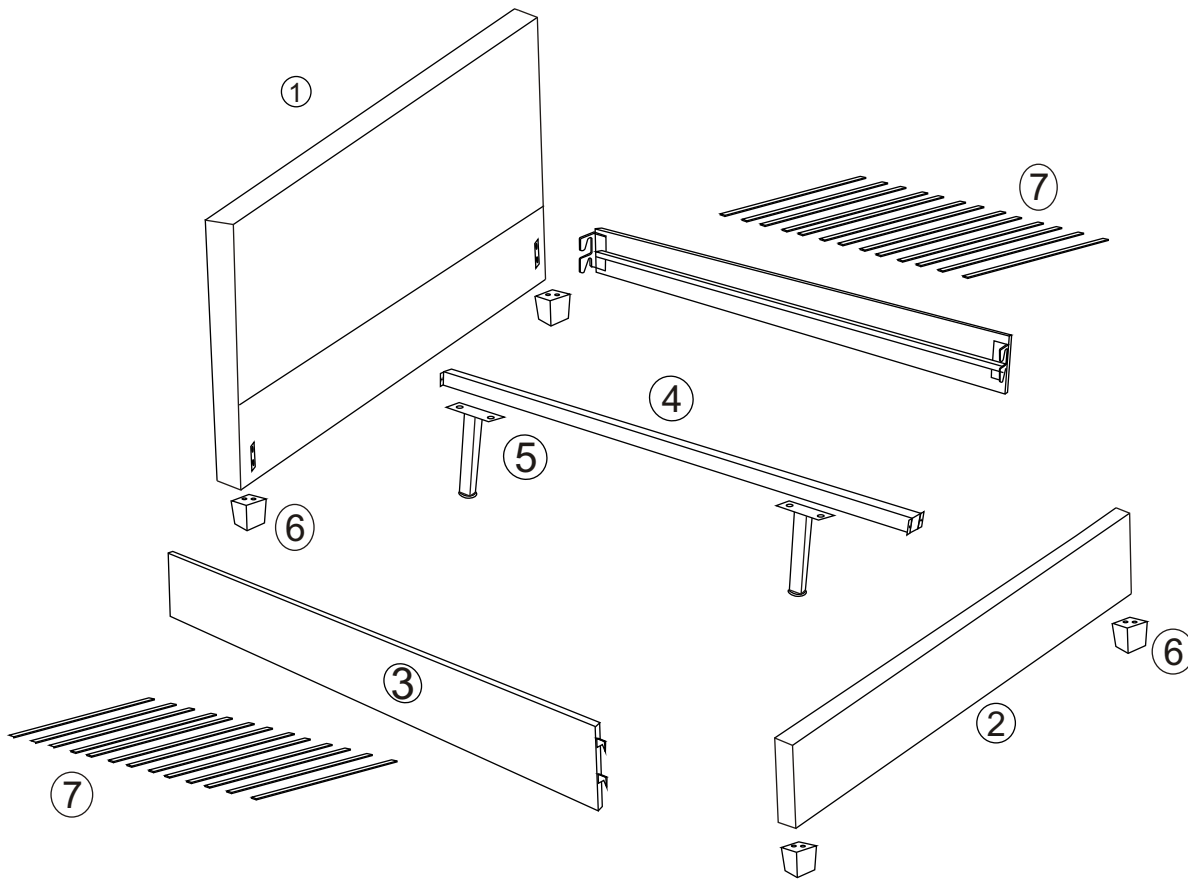
Always lift the bed with two people to reposition.

Keep any sharp objects away from the frame.



WWW.BIRLEA.COM

Parts list



PARTS LIST

HARDWARE LIST(Found in box1)

No	Item	Box	Qty	No	Item	Qty
1	Headboard	1	1	A	Bolts (M8x30mm) 	12
2	Footboard	1	1	B	Spring Washer 	8
3	Side Rails	2	2	C	Flat Washer 	8
4	Centre Support Bar	2	1	D	Nuts 	4
5	Support Legs	1	2	E	M5 Allen Key 	1
6	Legs	1	4	F	Spanner 	1
7	Slats	1	26	G	Bolts (M8x40mm) 	4
				H	Bolts (M8x70mm) 	4
				I	Screw 	4
				J	Single Slat Caps 	26
				K	Centre Slat Caps 	13

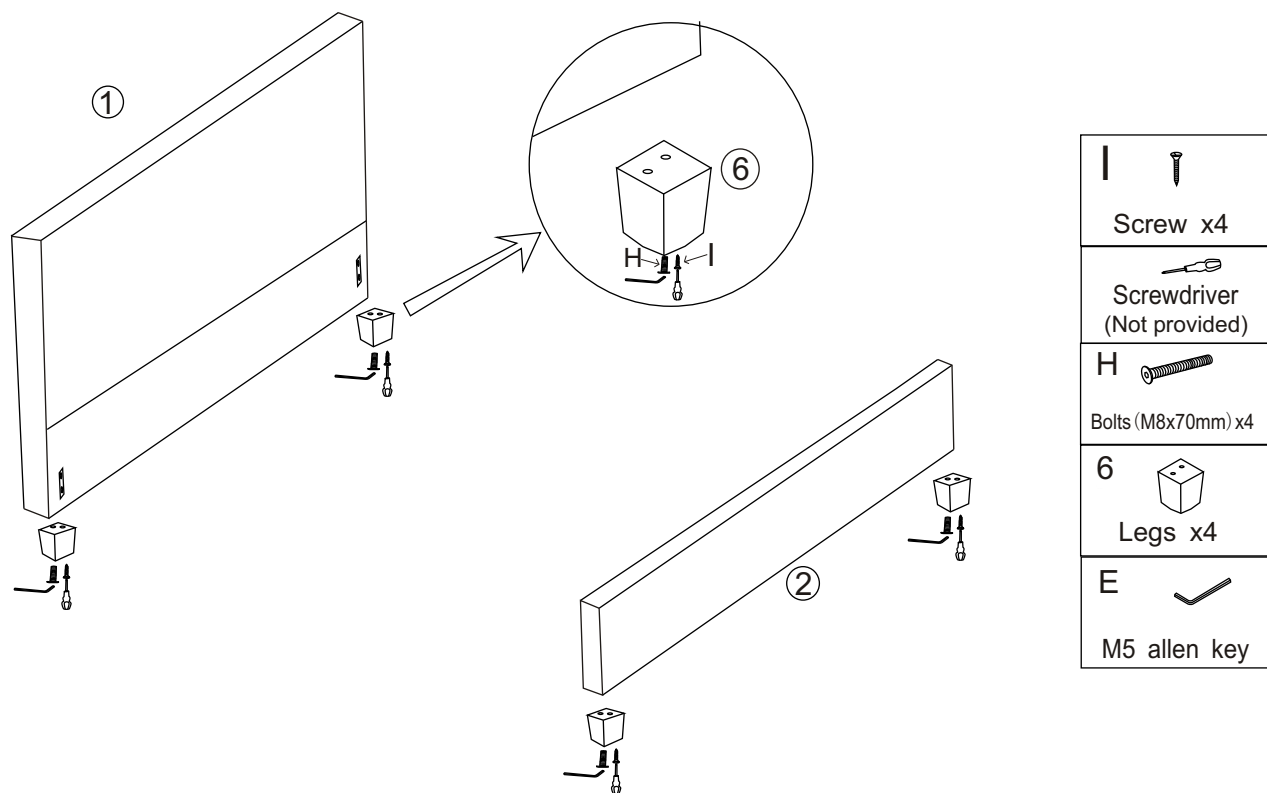
****You will need a screwdriver(not provided).**

The slats come in the zip compartment in the headboard.

Assembly steps

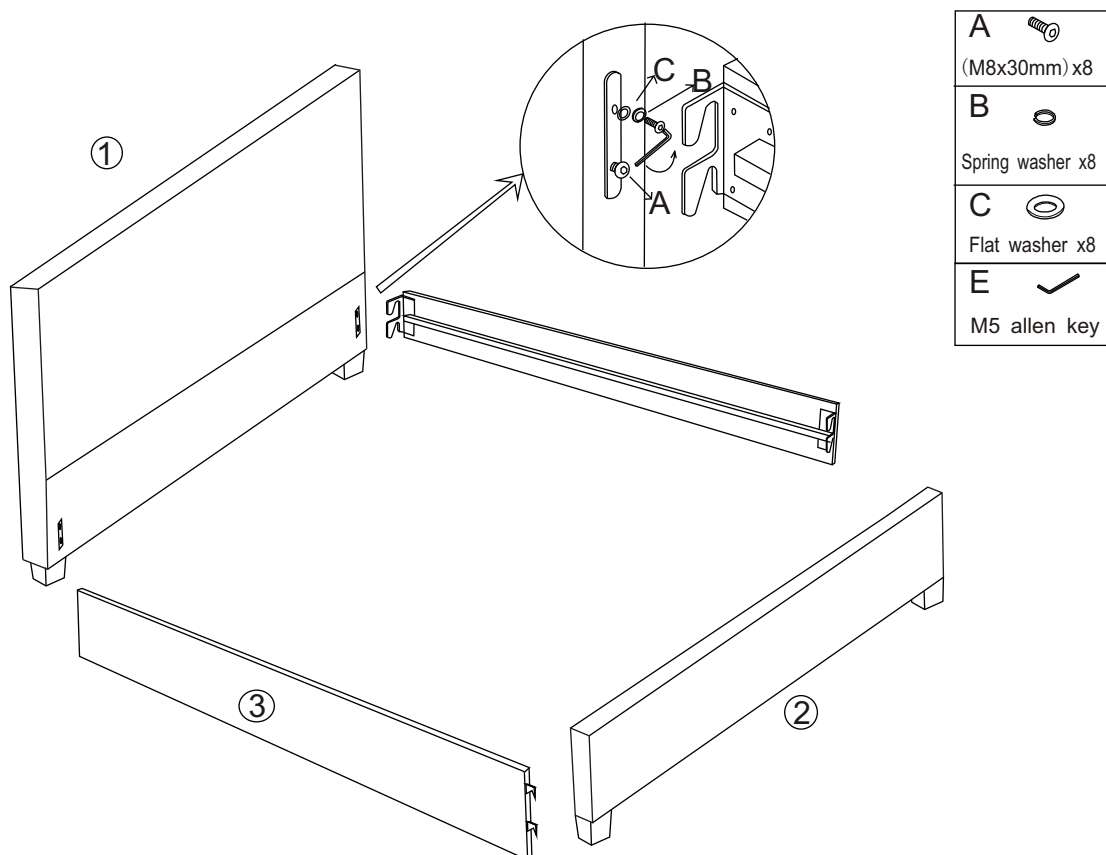
Step 1: Attach the legs (6) to the headboard (1) and footboard (2) using hardware parts H、 I with M5 allen key(E) and screwdriver(not provided).

DO NOT use any power tools as this may damage the frame and will invalidate any claim.





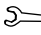


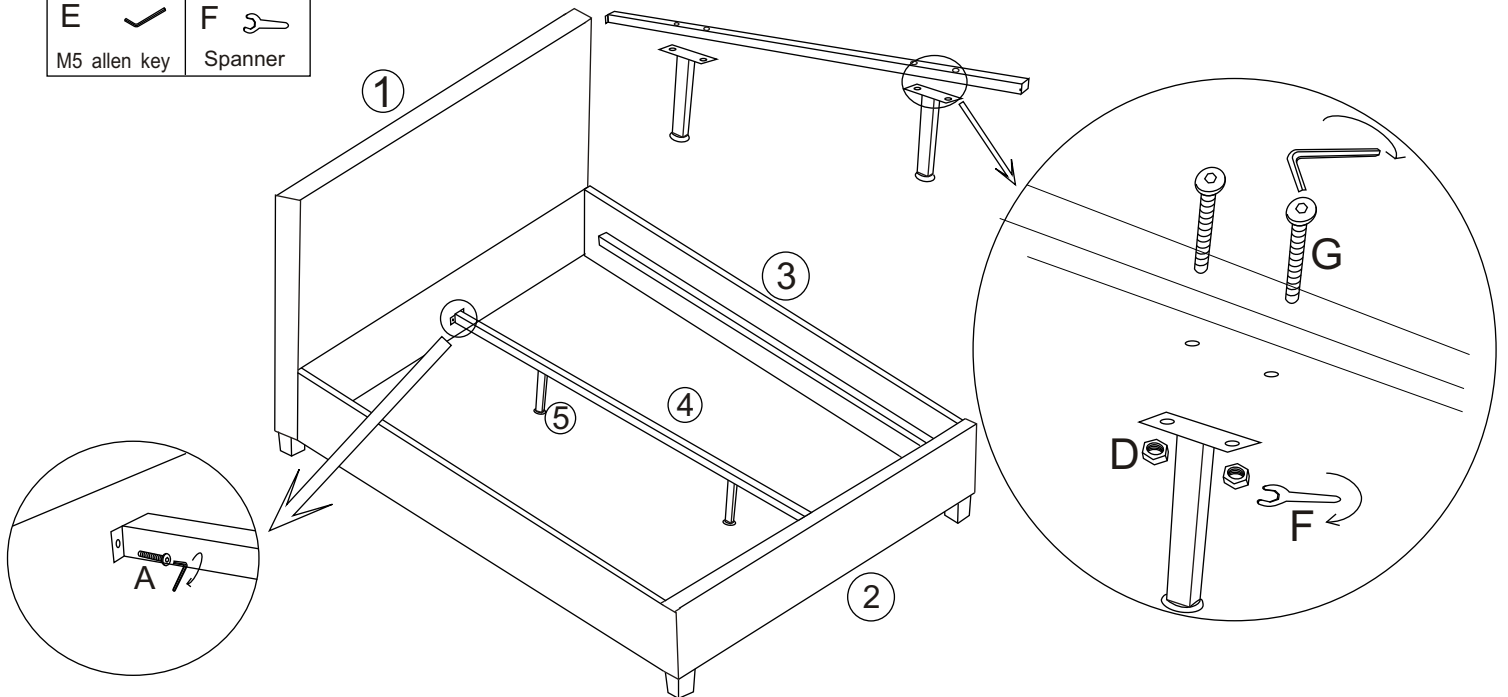
Step 2: Attach the side rails(3)to the headboard (1) and footboard (2) using hardware parts A, B, C and M5 allen key (E) .

DO NOT use any power tools as this may damage the frame and will invalidate any claim.



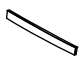


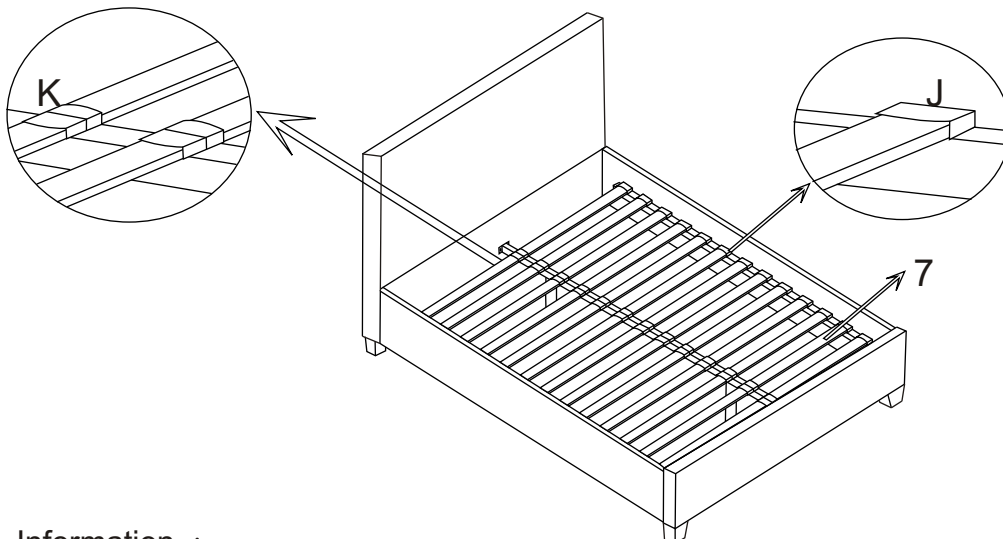
Step 3: Attach the centre support bar(4)to the headboard (1) and footboard (2) using hardware parts A, E. Attach the support legs(5)to the centre support bar(4) using hardware parts G, D, E and F.
DO NOT use any power tools as this may damage the frame and will invalidate any claim.

D		A		G	
Nuts x4		Bolt (M8x30mm) x4		Bolt (M8x40mm) x4	
E		F			
M5 allen key		Spanner			



Step 4: Place single slat caps(J) onto the end of each slat (7) then join the slats together with centre slat caps(K) . Press firmly into the side rails(3) and centre support bar(4).
DO NOT use any power tools as this may damage the frame and will invalidate any claim.

J		K		7	
Single Slat caps x 26		Centre slat caps x13		Slat x26	



Additional Information :

- For complete product information , images and dimension diagrams please visit the website www.birlea.com
- If you have any issues with your item please contact the retailer directly you purchased it from who will be able to resolve any issues with Birlea.
- Why don't you send us photos of your assembled furniture to info@birlea.com to be shared in our #birleahome feature on instagram.