



# Birlea

Suppliers of inspiration



## ASSEMBLY INSTRUCTIONS BERLIN FABRIC 3' BED

**IMPORTANT: READ THESE INSTRUCTIONS CAREFULLY BEFORE ASSEMBLING OR USING YOUR BERLIN FABRIC 3' BED FRAME.**

**PLEASE KEEP THESE INSTRUCTIONS FOR FUTURE REFERENCE.**

### **HEALTH & SAFETY:**

**DO NOT** jump on this bed frame.

**DO NOT** use this bed frame if any parts are missing, damaged or worn.

**DO NOT** use this bed frame unless all fixings are secured.

Please keep small parts out of reach of children.

Always use on a level, even surface.

**WARNING:** If this bed is placed on a non-carpeted floor you must place some protection under all legs to stop the bed frame from moving. If this is not adhered to there is no guarantee if the bed frame collapses.

### **CARE & MAINTENANCE:**

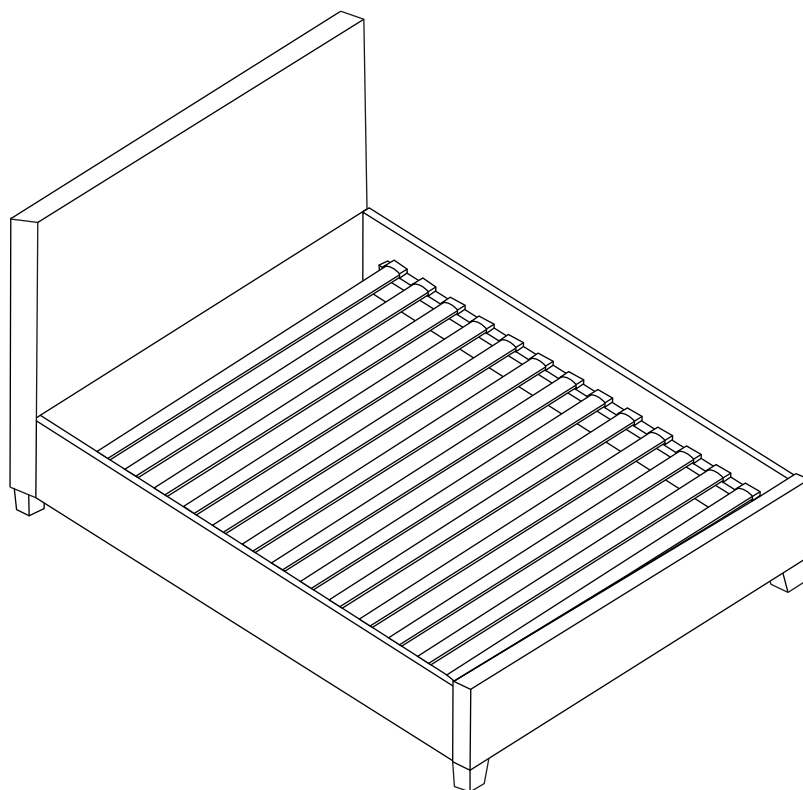
Assemble in the room of use.

Periodically check all screws & fixings to ensure they are secure.

**DO NOT** push the bed frame as this will damage the legs.

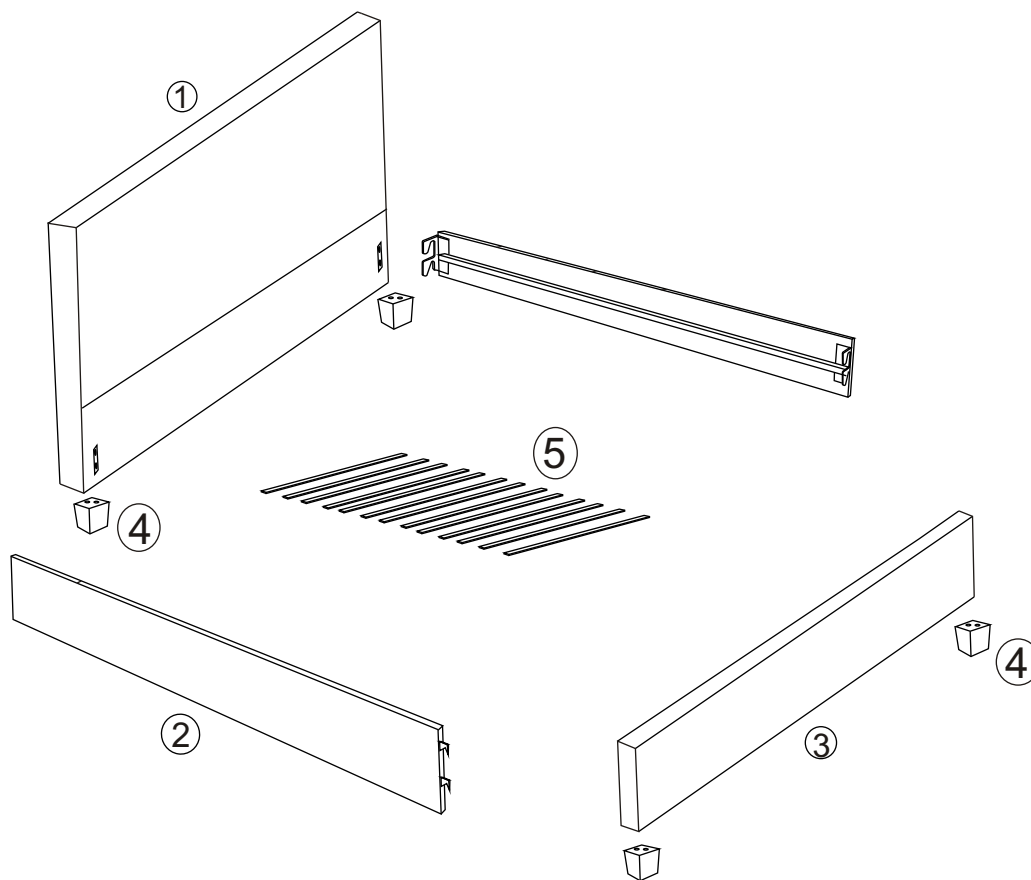
Always lift the bed with two people to reposition.

Keep any sharp objects away from the frame.








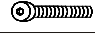

[WWW.BIRLEA.COM](http://WWW.BIRLEA.COM)

# Parts list



## PARTS LIST

## HARDWARE LIST (Found in box 1)

No	Item	Box	Qty	No	Item	Qty
1	Headboard	1	1	A	Bolts (M8x30mm) 	8
2	Side Rails	2	1	B	Spring Washer 	8
3	Footboard	1	2	C	Flat Washer 	8
4	Legs	1	4	D	Single Slat Caps 	26
5	Slats	1	13	E	M5 Allen Key 	1
				F	Bolts (M8x70mm) 	4
				G	Screw 	4

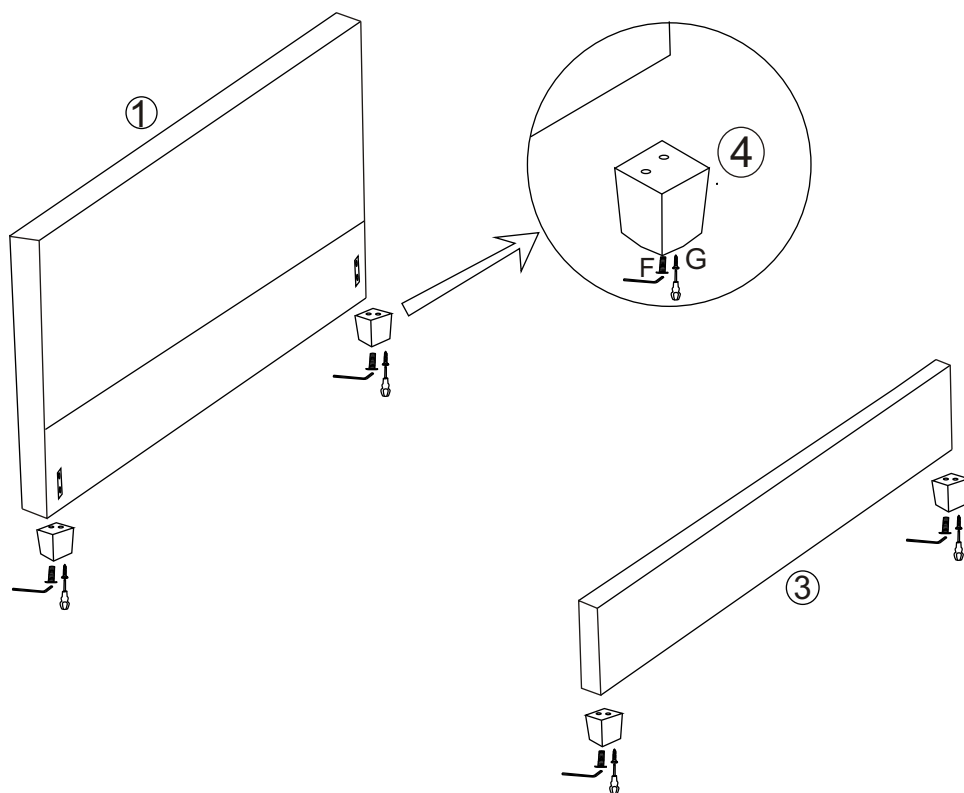
**\*\*You will need a screwdriver(not provided).**


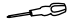



**The slats come in the zip compartment in the headboard.**

# Assembly steps

**Step 1:** Attach the legs (4) to the headboard (1) and footboard (3) using hardware parts G, F, E.

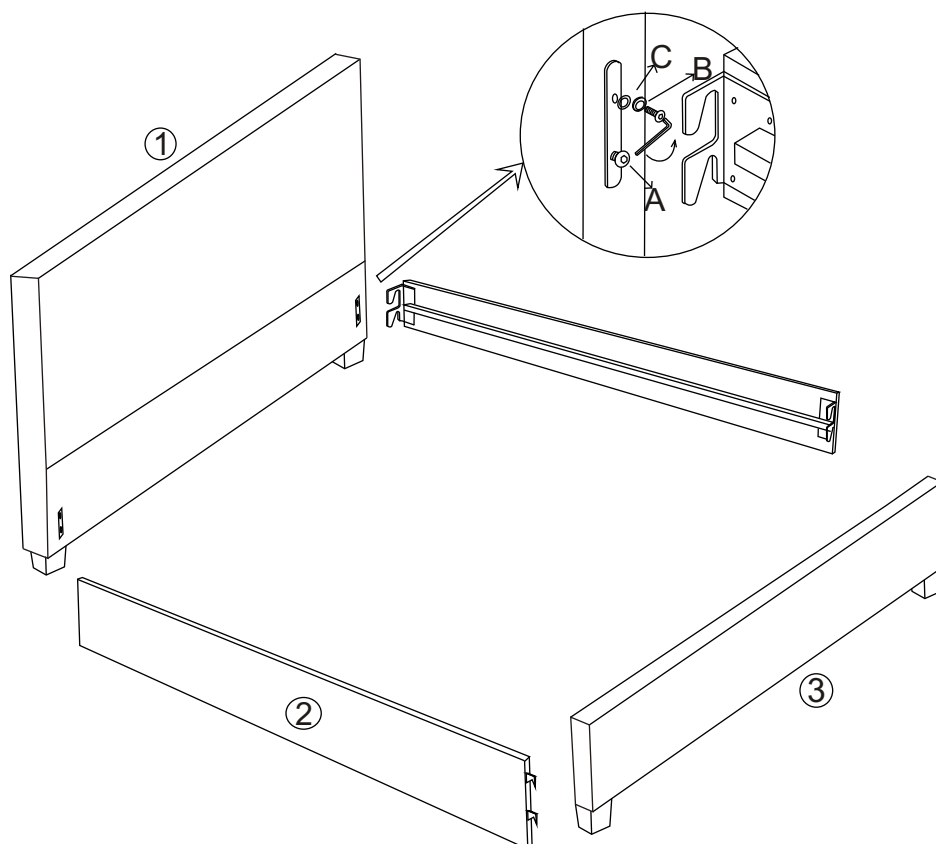
**DO NOT use any power tools as this may damage the frame and will invalidate any claim.**







G	
Screw x4	
	
Screwdriver (not provided)	
F	
Bolts (M8x70mm) x4	
4	
Legs x4	
E	
M5 allen key	

**Step 2:** Attach the side rails (2) to the headboard (1) and footboard (3) using hardware parts A, B, C and M5 allen key (E).


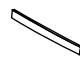
**DO NOT use any power tools as this may damage the frame and will invalidate any claim.**

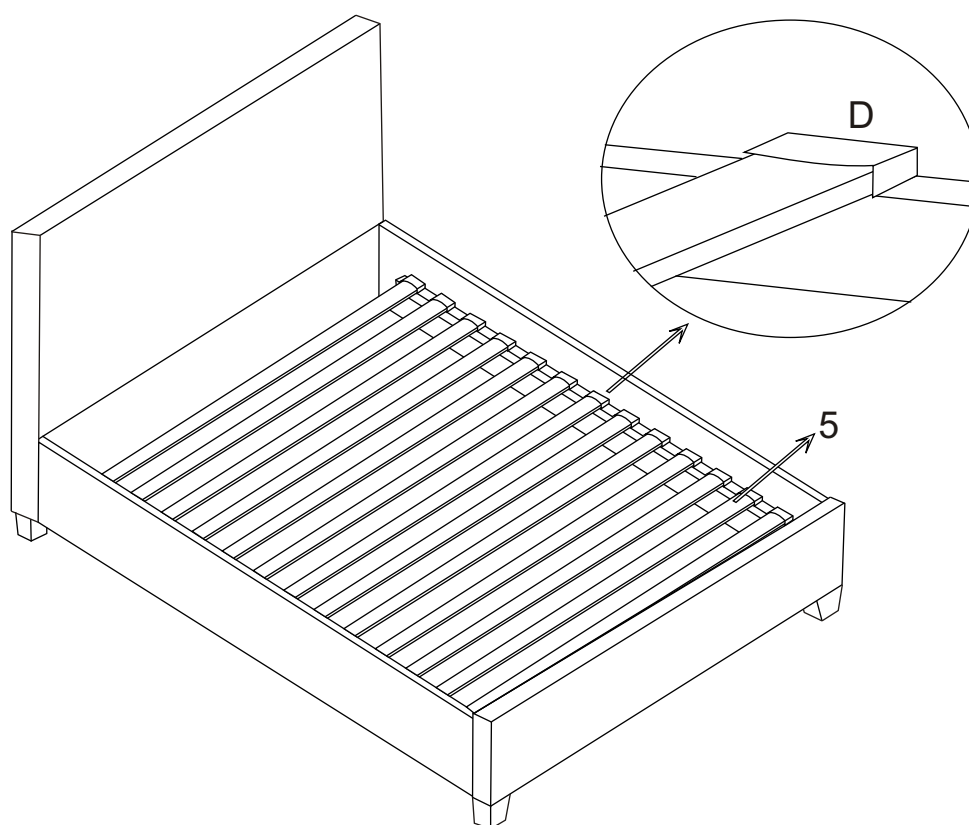


A	
Bolts (M8x30mm) x8	
B	
Spring washer x8	
C	
Flat washer x8	
E	
M5 allen key	

**Step 3:** Place single slat caps ( D ) onto the end of each slat ( 5 ) .  
Press firmly into the side rails(2) .

**DO NOT use any power tools as this may damage the frame and will invalidate any claim.**

D		5	
Single slat caps x 26		Slat x13	



### Additional Information :

- For complete product information, images and dimension diagrams please visit the website [www.birlea.com](http://www.birlea.com)
- If you have any issues with your item please contact the retailer directly you purchased it from who will be able to resolve any issues with Birlea.
- Why don't you send us photos of your assembled furniture to [info@birlea.com](mailto:info@birlea.com) to be shared in our #birleahome feature on instagram.

