



Birlea

Suppliers of inspiration

Assembly Instructions

Thank you for
purchasing a
Birlea product.

For a chance to win a *Love 2 Shop* voucher simply post a picture of your new product on your preferred social channels tagging Birlea Furniture and using the hashtag **#ShareYourStyle** and **#Birlea**. One winner will be selected at random each month.

To view our full terms and conditions please visit our website. www.birlea.com

Are you happy with your purchase?

Yes: That's great, we would love to hear more from you. Please leave us a review on our social media channels or Trustpilot. Your feedback will be greatly appreciated.

No: If for any reason there is something missing, indifferent or incorrect with your order, please contact the retailer you purchased the item from. We will work with the retailer to resolve your issue as quickly as possible.



www.birlea.com

ASSEMBLY INSTRUCTIONS

PEMBROKE 6 DRAWER CHEST

IMPORTANT: READ THESE INSTRUCTIONS CAREFULLY BEFORE ASSEMBLING OR USING YOUR PEMBROKE 6 DRAWER CHEST.

PLEASE KEEP THESE INSTRUCTIONS FOR FUTURE REFERENCE.

HEALTH & SAFETY:

DO NOT use this item if any parts are missing, damaged or worn.

DO NOT use this item unless all fixings are secured.

Please keep small parts out of reach of children.

Always use on a level, even surface.

It is recommended that two people handle and assemble the item.

Birlea advise you use the wall straps provided to further enhance the safety of this product.

CARE & MAINTENANCE:

Assemble in the room of use.

To avoid damages assemble the item on a soft, clean surface

Periodically check all screws & fixings to ensure they are secure.

DO NOT push the item as this will damage the base.

Always lift the item with two people to reposition.

Keep any sharp objects away from the item.

This product is manufactured in pine which is a wood with natural characteristics including knots, grains, clusters or indentations.

On unpacking the item you may notice an odour due to production processes but this will disappear after a period of time.

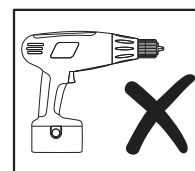
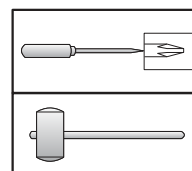
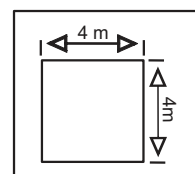
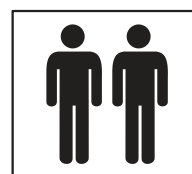
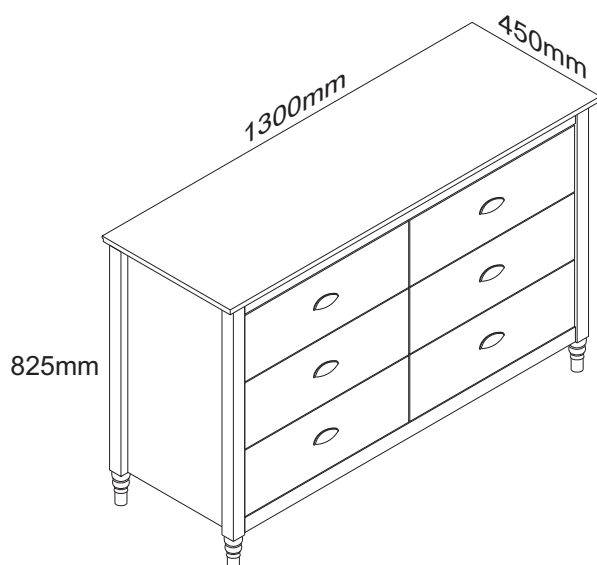
DO NOT place the item next to a radiator or direct sunlight – this item is susceptible to temperature change.

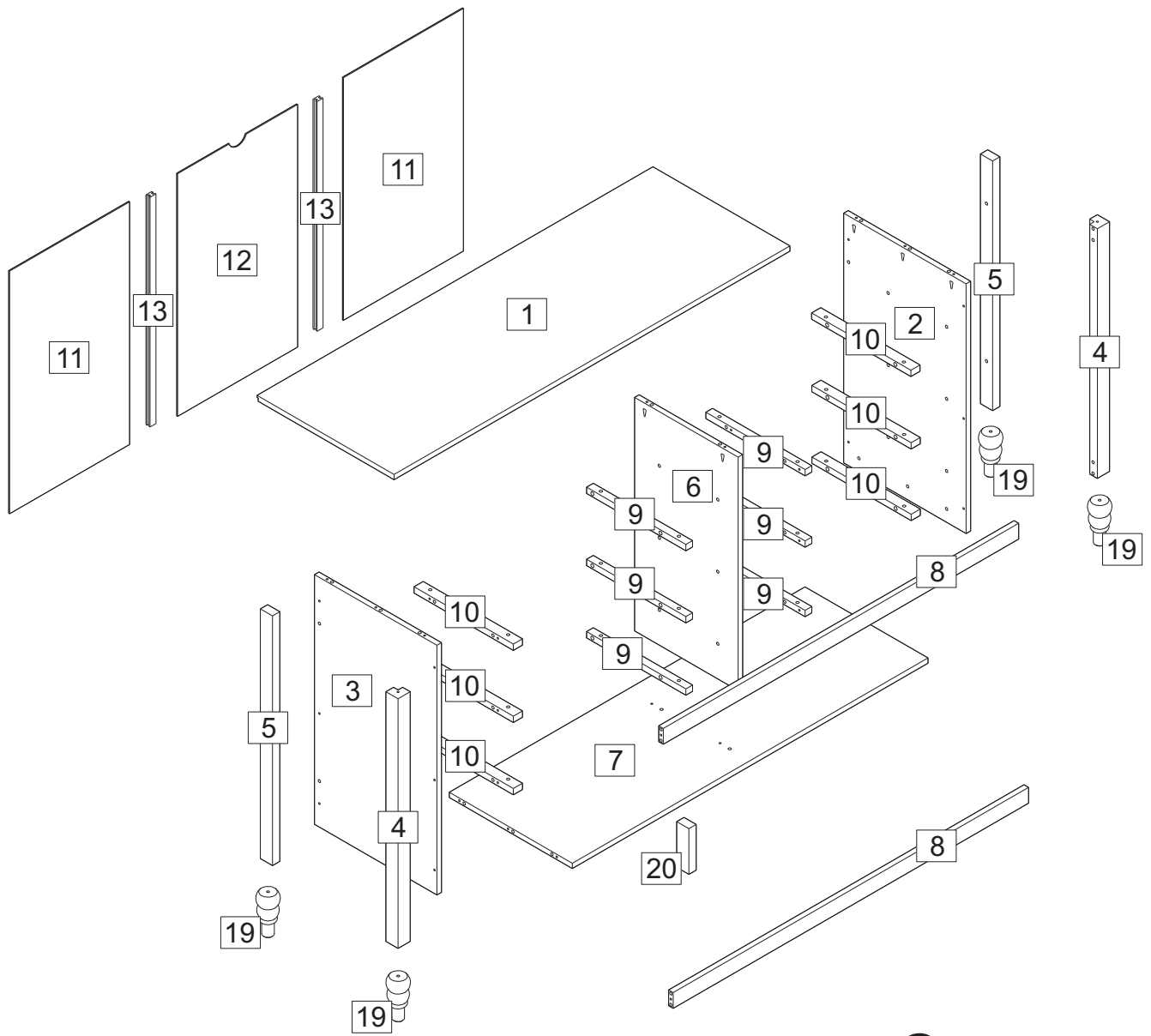
It is recommended an even room temperature be maintained with no sudden fluctuations.

DO NOT place hot or cold items directly onto the surface of the item as marking will occur

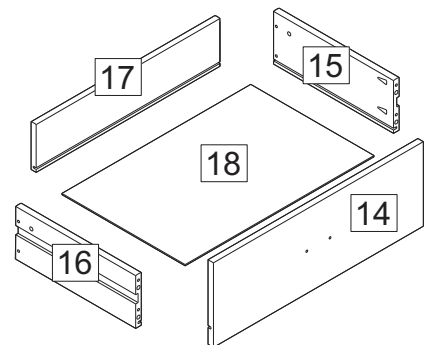
For general cleaning use a duster or damp cloth (almost dry) not wet – do not use soap and water, detergents, aerosol sprays or any polish as use of these materials would invalidate any claims.

DO NOT place the item onto wet or damp flooring as staining may occur to the floor.





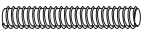

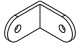







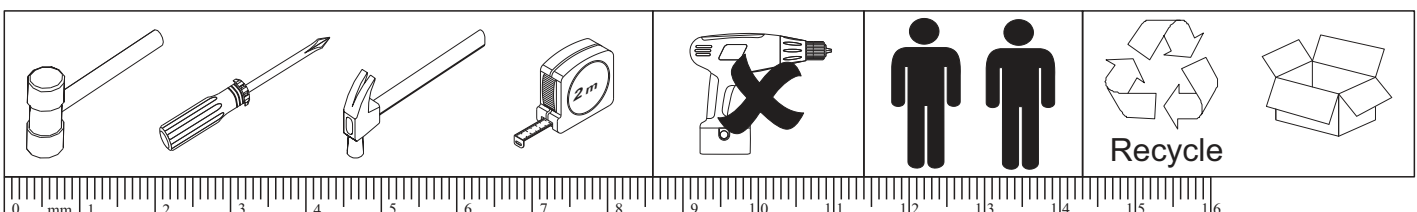
6x



PARTS LIST		
Part	Item	Qty
1	Top Panel	1
2	Right Panel	1
3	Left Panel	1
4	Front Side Column	2
5	Back Side Column	2
6	Division Panel	1
7	Base	1
8	Front Cross Member	2
9	Central Slide	6
10	Side Slide	6
11	Side Back Background	2
12	Central Back Background	1
13	H Profile	2
14	Drawer Front	6
15	Right Side Drawer	6
16	Left Side Drawer	6
17	Drawer Back	6
18	Drawer Bottom	6
19	Foot	4
20	Base Support	1

HARDWARE LIST		
Part	Item	Qty
A	Wooden dowel 	94
B	14mm Screw 	5
C	30mm Screw 	105
D	18mm Screw 	12
E	60mm superb bar 	4
F	Smooth shell pull 	6
G	Smooth shell pull 	2
H	Washer 	2
I	Wall Strap 	1
J	Tack 	50

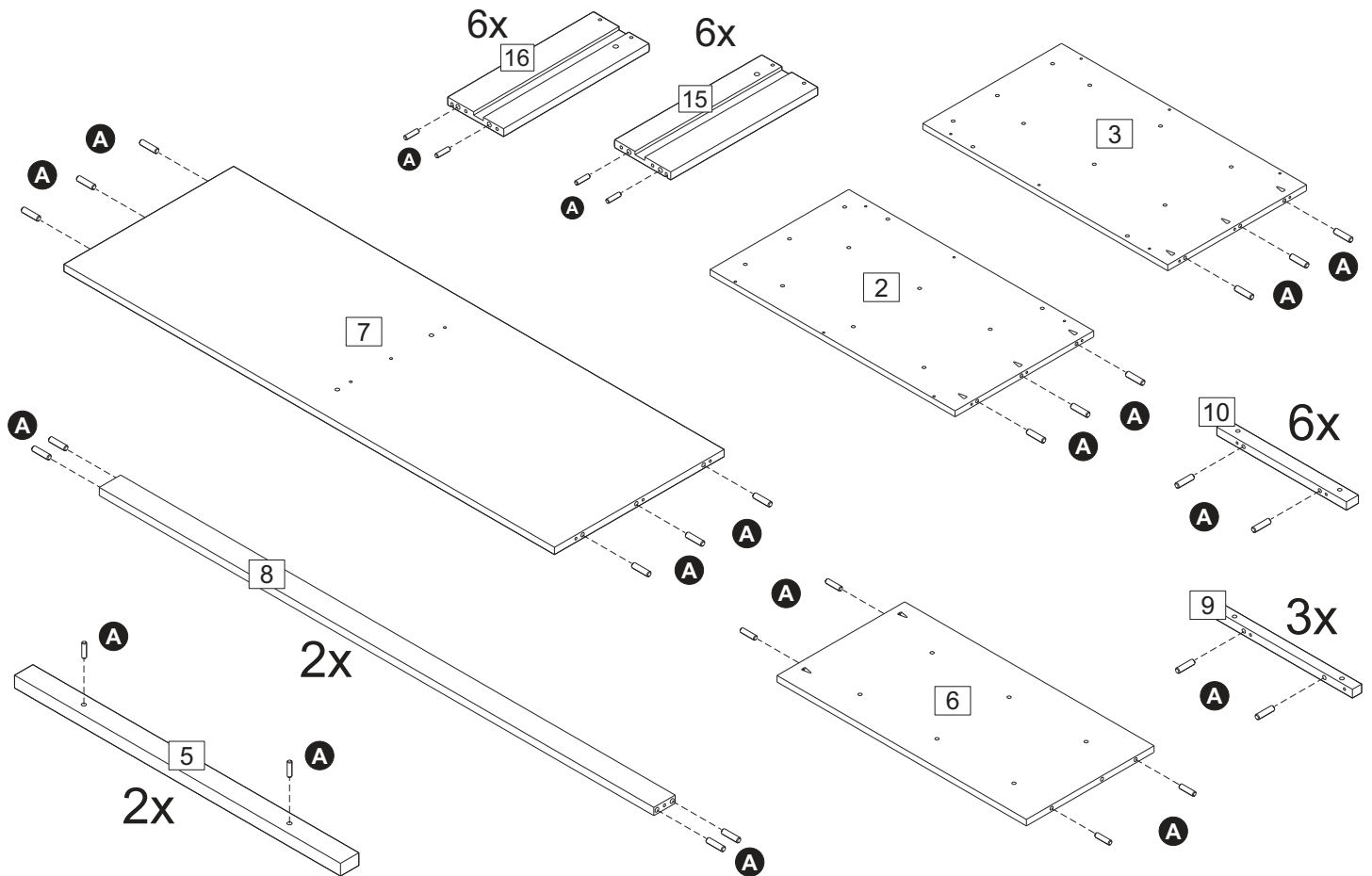
** You will need a small mallet and a screwdriver.



STEP 1: Insert the hardware (A) in the parts shown.

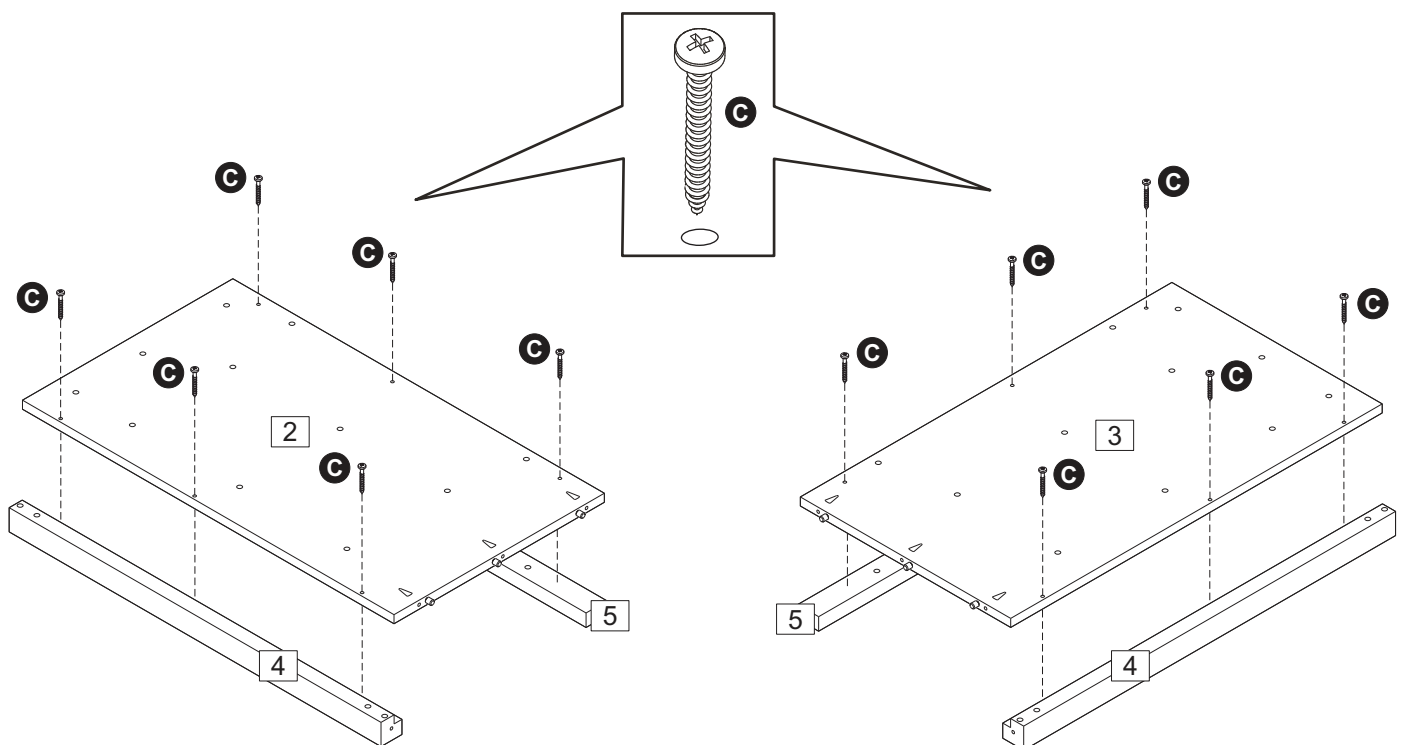
Vendor: S000238

Do NOT use any power tools as this may damage the frame and will invalidate any claim.



STEP 2: Fix the right panel (2) and the left panel (3) onto the front side column (4) and the back side column (5) using hardware (C).

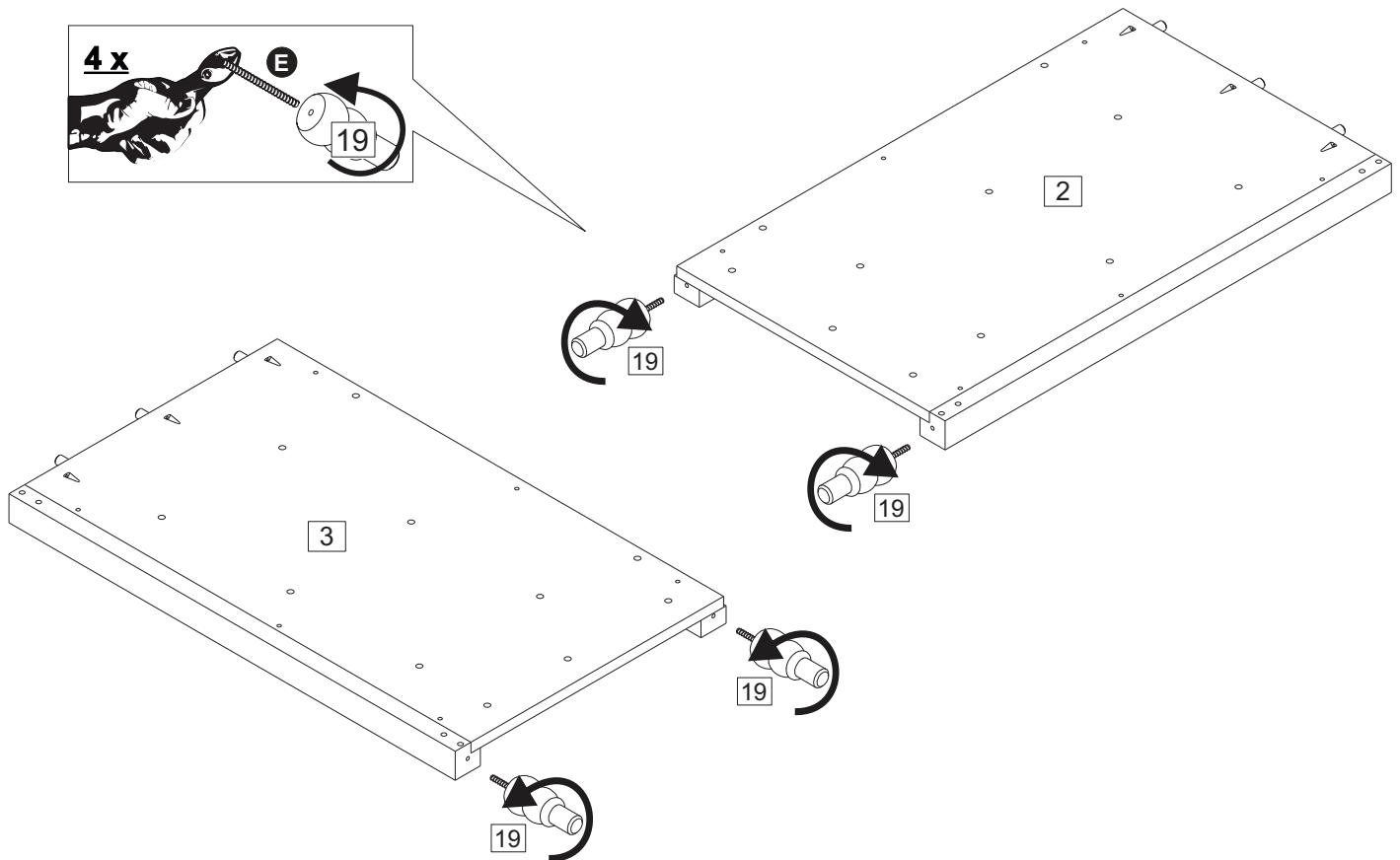
Do NOT use any power tools as this may damage the frame and will invalidate any claim.



STEP 3: Insert hardware (E) to the foot (19). Insert the foot into the right panel (2) and the left panel (3).

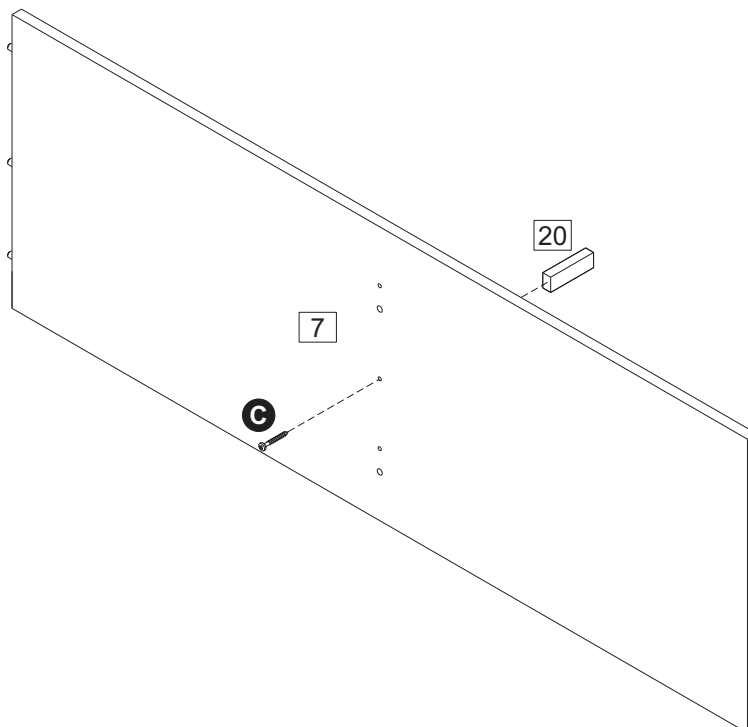
Vendor: S000238

Do NOT use any power tools as this may damage the frame and will invalidate any claim.



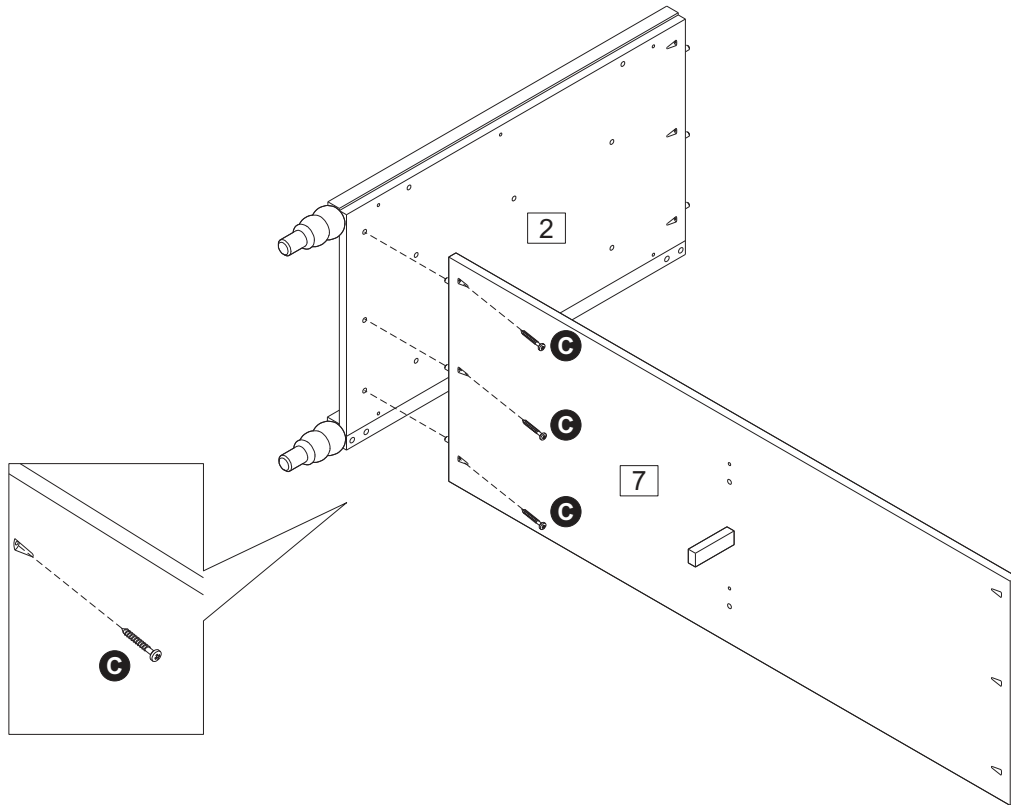
STEP 4: Attach the base support (20) into the base (7) using the hardware (C).

Do NOT use any power tools as this may damage the frame and will invalidate any claim.

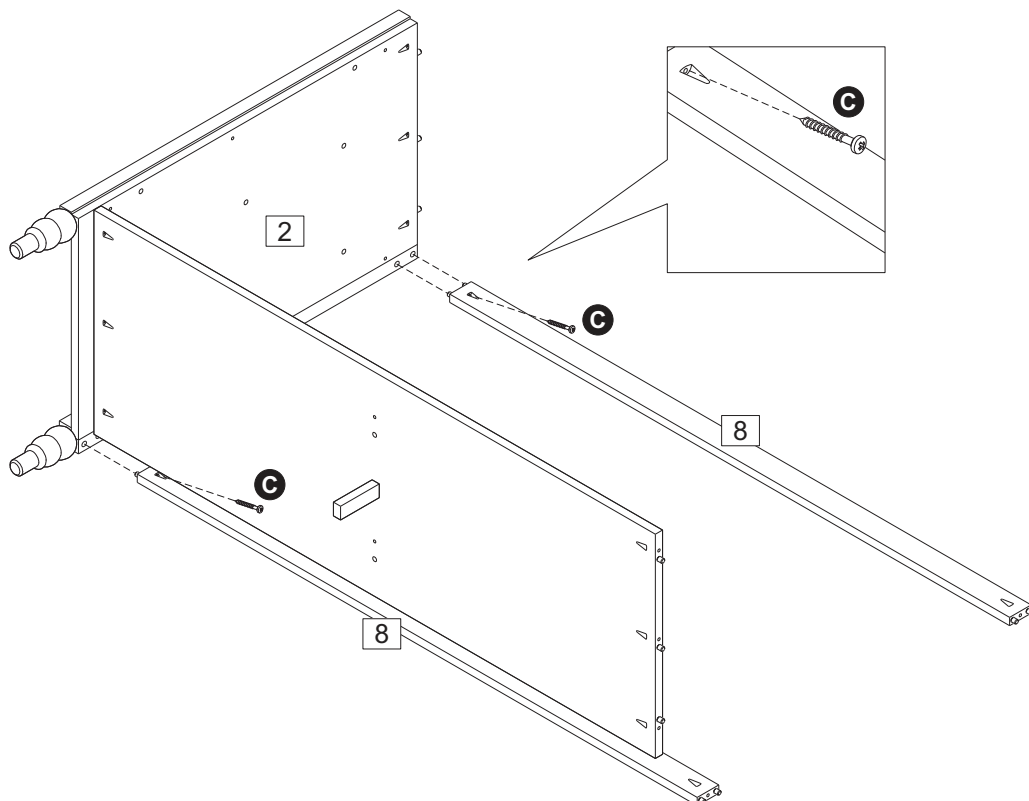


STEP 5: Attach the base (7) in the assembled right panel (2) using hardware (C).
Do NOT use any power tools as this may damage the frame and will invalidate any claim.

Vendor: S000238



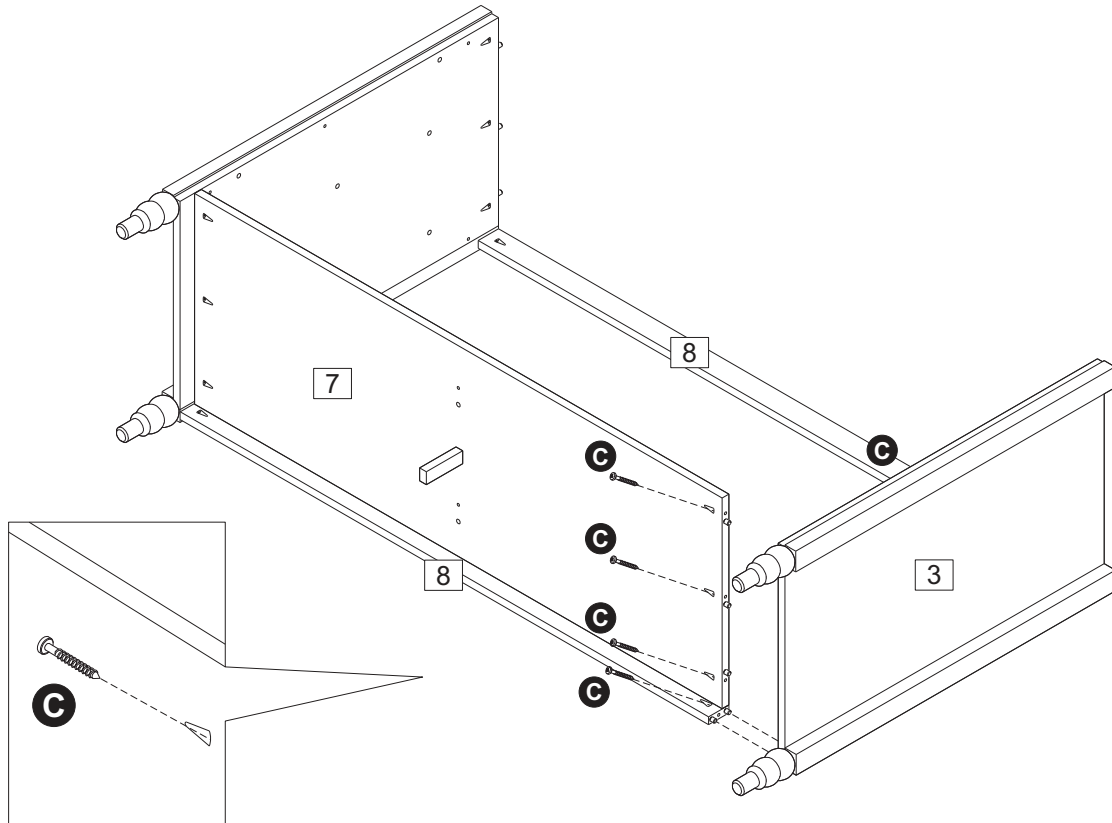
STEP 6: Fix the front cross member (8) into the assembled right panel (2) using hardware (C).
Do NOT use any power tools as this may damage the frame and will invalidate any claim.



STEP 7: Attach the base (7) and the front cross member (8) to the assembled left panel (3) using hardware (C).

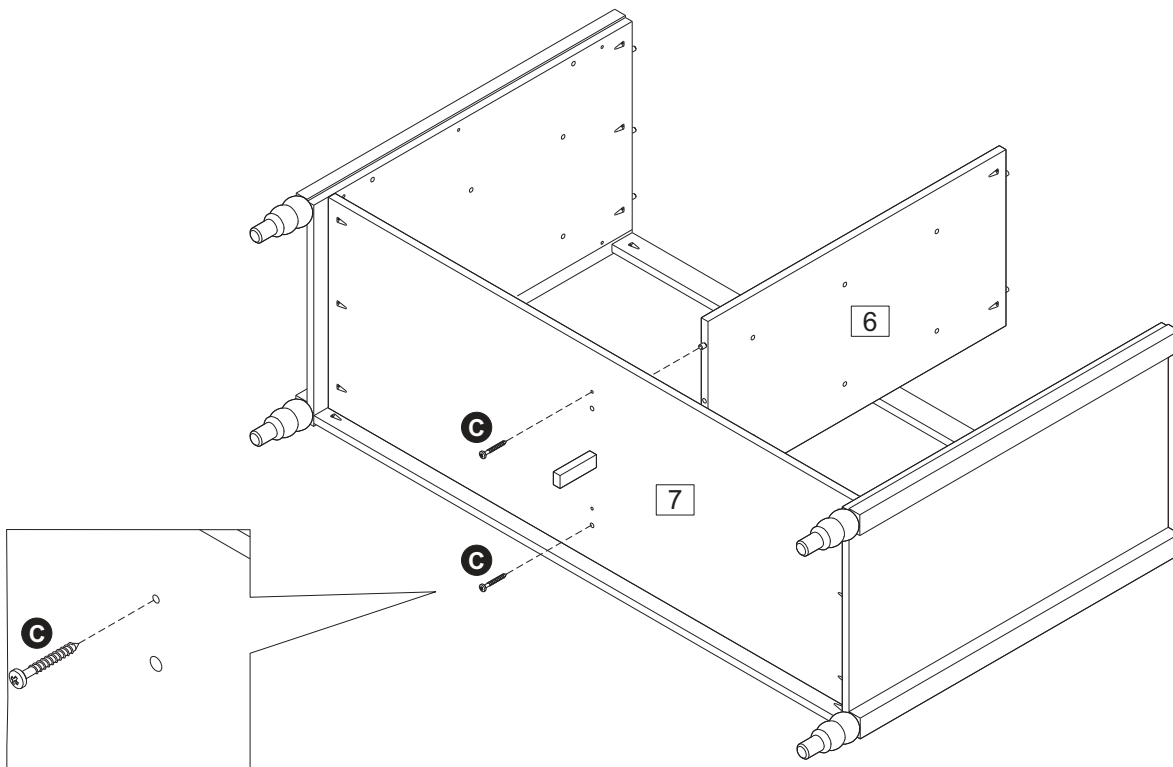
Vendor: S000238

Do NOT use any power tools as this may damage the frame and will invalidate any claim.



STEP 8: Fix the division panel (6) in the base (7) using hardware (C).

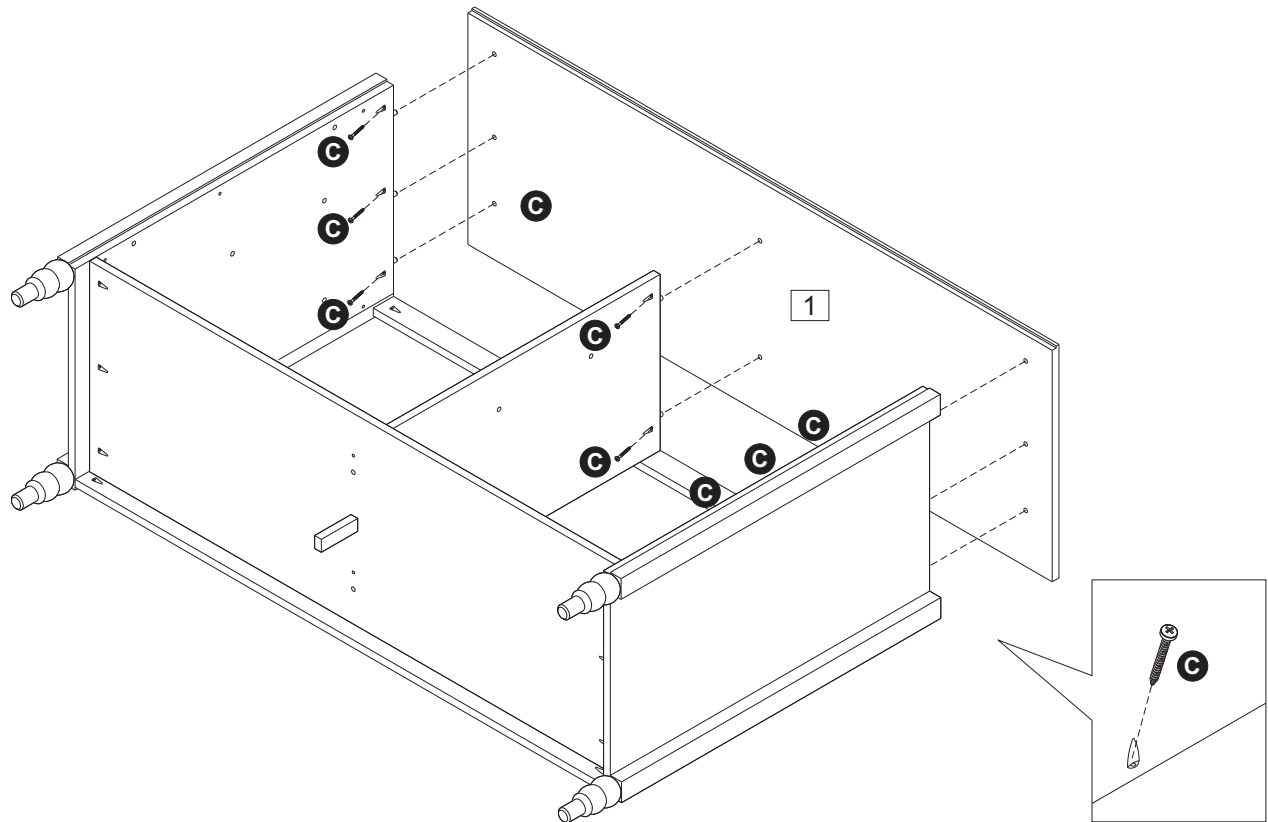
Do NOT use any power tools as this may damage the frame and will invalidate any claim.



STEP 9: Attach the top panel (1) in the assembled frame using hardware (C).

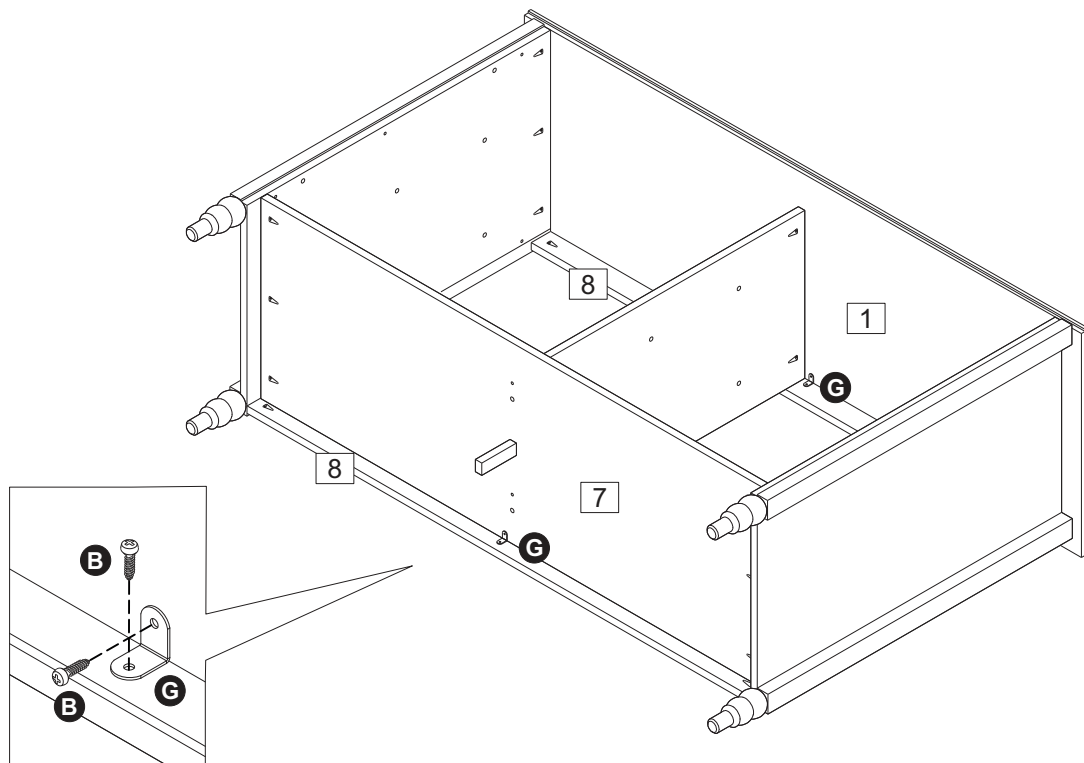
Vendor: S000238

Do NOT use any power tools as this may damage the frame and will invalidate any claim.



STEP 10: Use hardware (G) and hardware (B) to fix the front cross member (8) with the base (7), then use hardware (G) and hardware (B) to fix the front cross member (8) to the top panel (1).

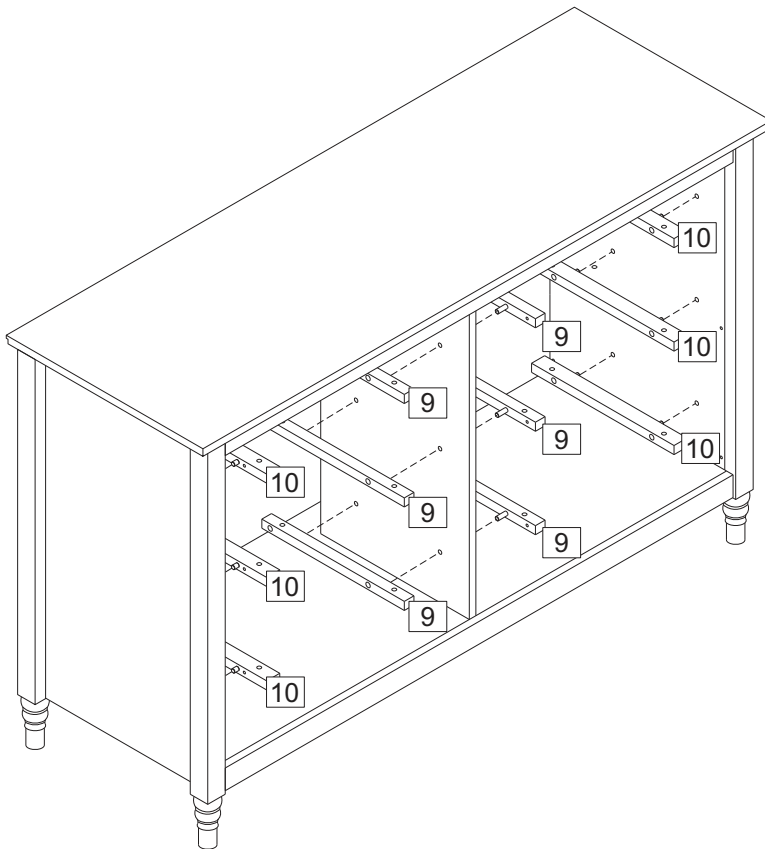
Do NOT use any power tools as this may damage the frame and will invalidate any claim.



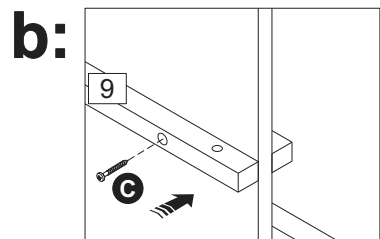
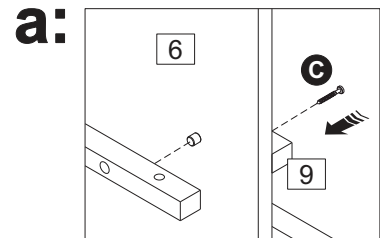
STEP 11: Attach the central slide (9) and side slide (10) in the sides of the furniture, using hardware (C).

Vendor: S000238

Do NOT use any power tools as this may damage the frame and will invalidate any claim.

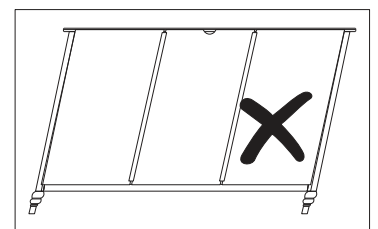
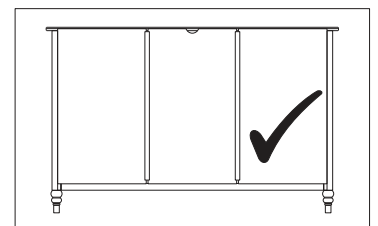
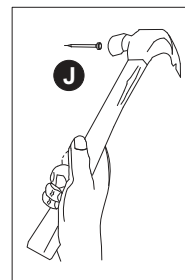
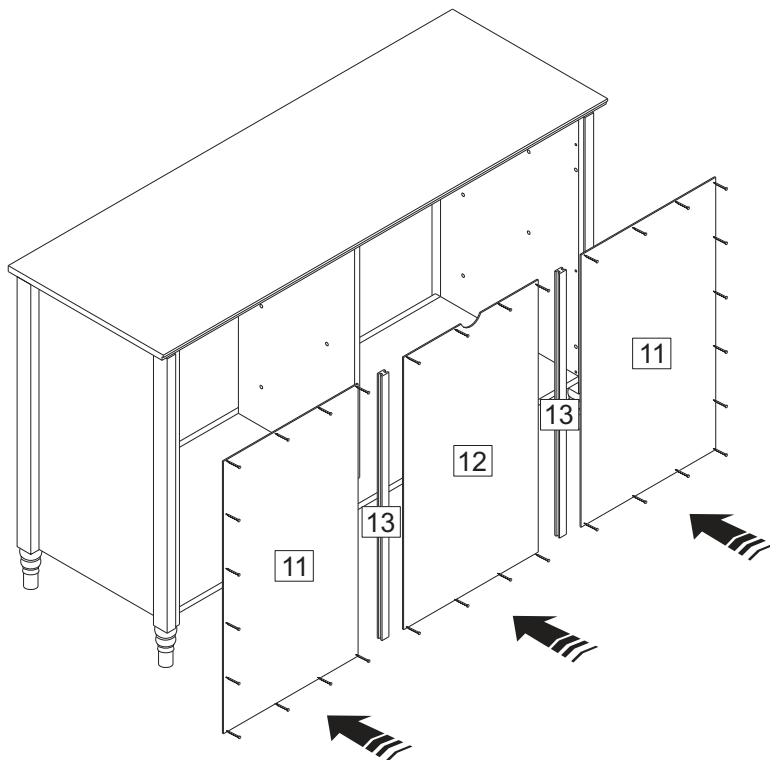


Attention:
correct slide position



STEP 12: Fix the side back background (11) and the central back background (12) with the H profile (13) using hardware (J).

Do NOT use any power tools as this may damage the frame and will invalidate any claim.



STEP 13: Fix the left side drawer (16) and the right side drawer (15) to the drawer front (14) using hardware (C).

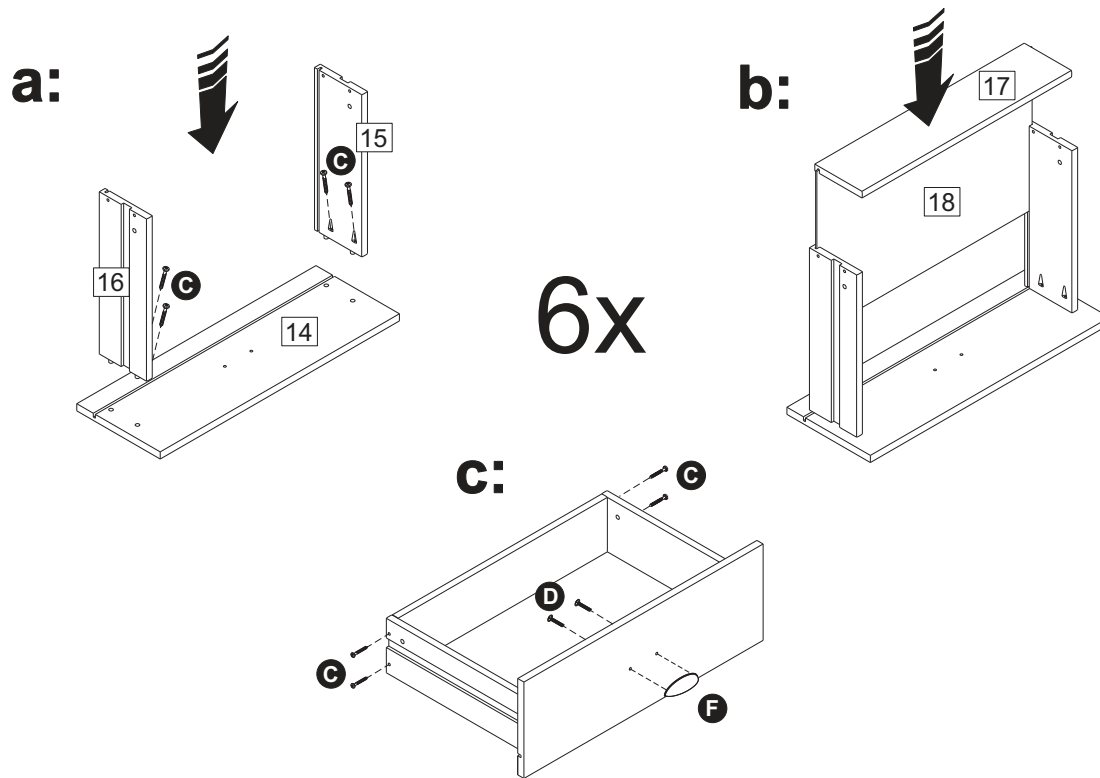
Vendor: S000238

Insert the drawer bottom (18) between the left and right side drawer (16) and (15).

Fix the drawer back (17) to the left and right side drawer (16) and (15) using hardware (C).

Fix the hardware (F) to the drawer front (14) using hardware (D).

Do NOT use any power tools as this may damage the frame and will invalidate any claim.



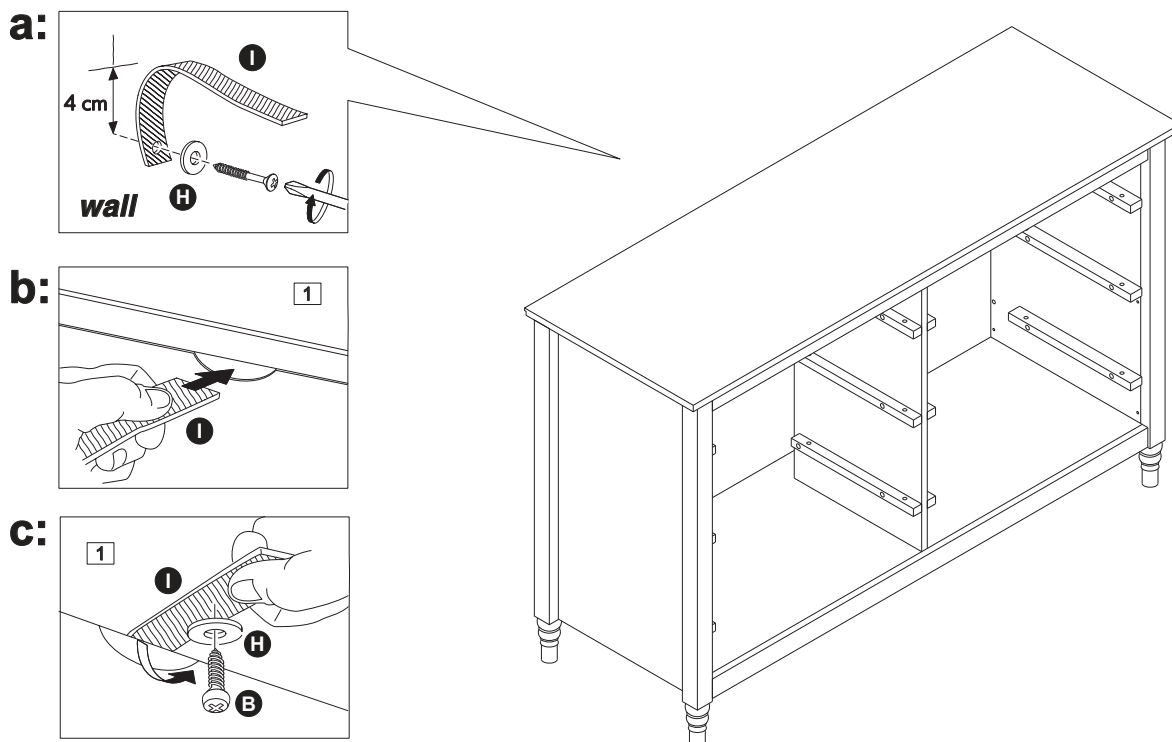
Step 14: Furniture must be fixed on the wall.

Fix the wall strap (I) to the wall using the washer (H) and a screw (not provided).

Fix the wall strap (I) to top of furniture using a washer (H) and 14mm screw (B).

Wall plug and screw are not supplied to attach the wall strap to the wall.

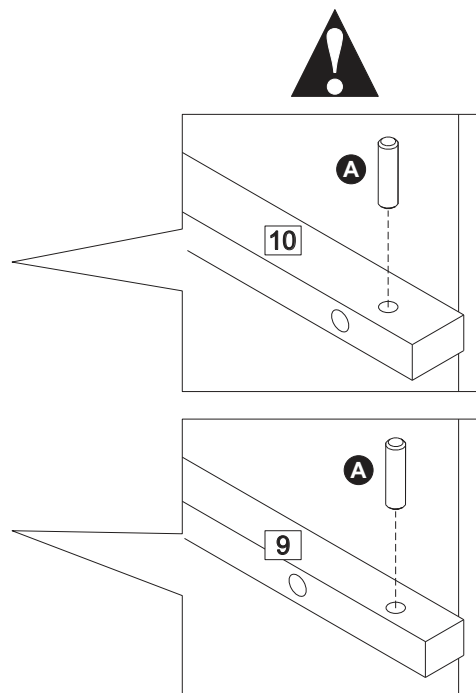
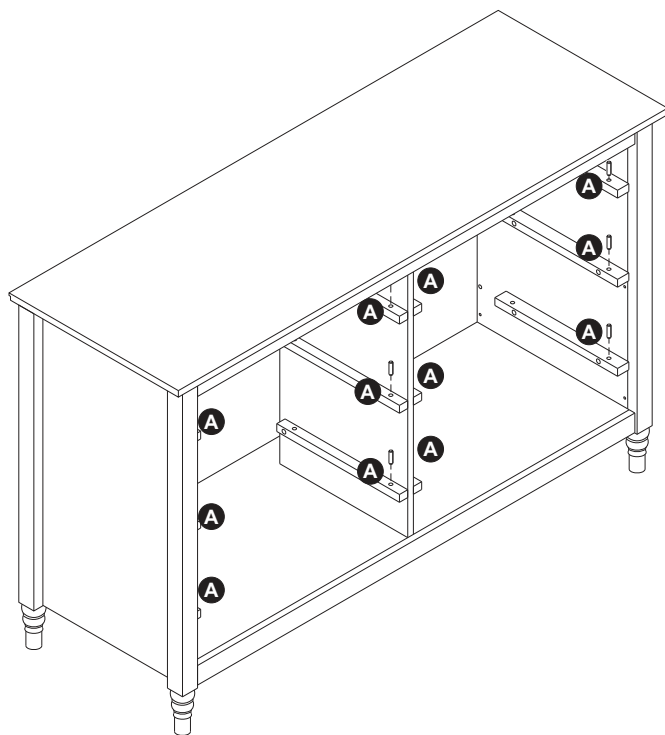
The correct type of fixing must be used for your wall, seek professional advice if in doubt.



STEP 15: Insert the hardware (A) in central slide (9) and side slide (10).

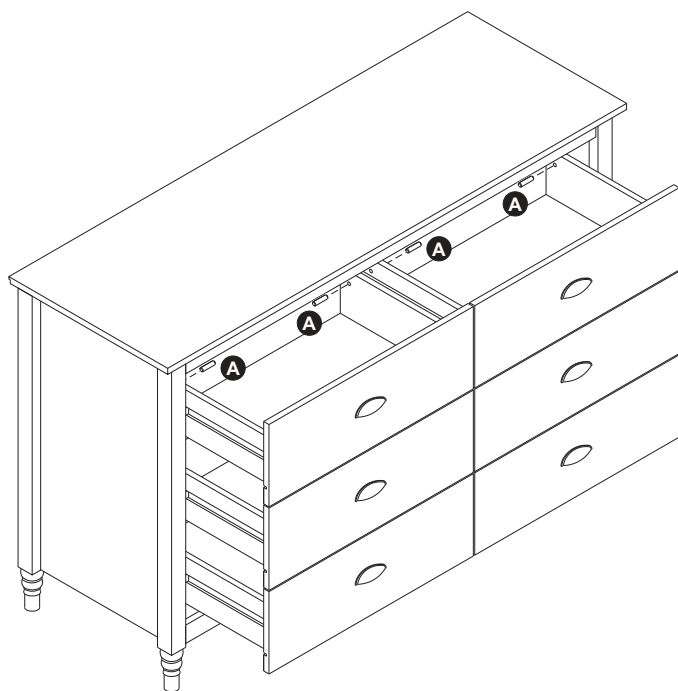
Vendor: S000238

Do NOT use any power tools as this may damage the frame and will invalidate any claim.

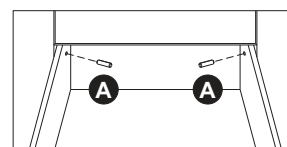


Step 16: Insert the drawers as shown using hardware (A).

Do NOT use any power tools as this may damage the frame and will invalidate any claim.



6x



Additional Information:

- For complete product information, images and dimension diagrams please visit the website www.birlea.com
- If you have any issues with your item please contact the retailer directly you purchased it from who will be able to resolve any issues with Birlea.
- Why don't you send us photos of your assembled furniture to info@birlea.com to be shared in our #birleahome feature on Instagram.