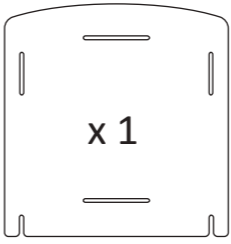
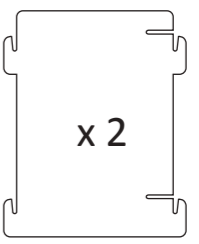
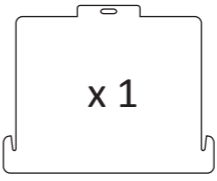
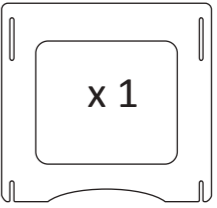
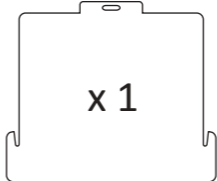

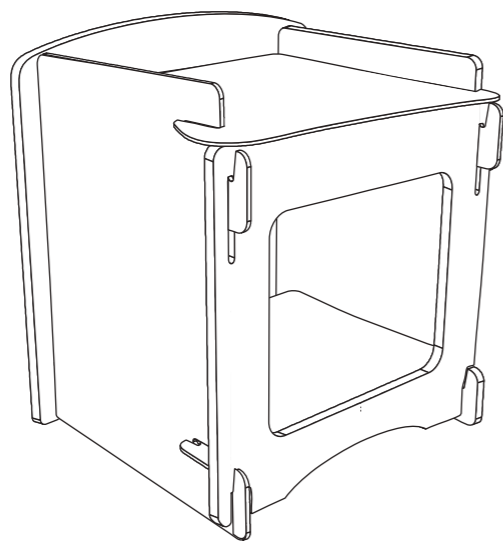


- A. Take the back panel (1) and slot in the side panels (2).
 B. Slot the base panel (5) into the side panels (2). Then put in the T-Bar (6) into the slot at the back on the base panel (5).
 C. Place on the front panel (4) to the 2 sides (2).
 D. Slot the top panel (3) into the side panels (2). Then put in the T-Bar (6) into the slot at the back on the top panel (5).

PARTS LIST

1.	 x 1	2.	 x 2
3.	 x 1	4.	 x 1
5.	 x 1	6.	 x 2
7.		8.	

- | | |
|---------------|----------------|
| 1. Back Panel | 2. Side Panel |
| 3. Top Panel | 4. Front Panel |
| 5. Base panel | 6. T-Bar locks |
| 7. | 8. |



The bedside is now complete, please read the user guide notes to maintain the unit to its highest standard.

USER GUIDE

Thank you for choosing a KIDSAW product. Please take a little time to read the important safety notes detailed below. This will ensure many years of happy, safe use.

SAFETY: TAKE NOTE

- Keep this product away from fire and direct heat sources.
- Only use spares approved by KIDSAW.
- Always empty the bedside before dismantling.
- Adult assembly required.

CARE & MAINTENANCE

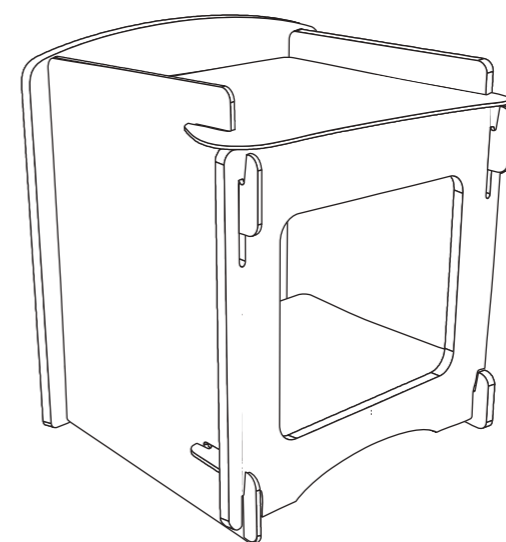
- All surfaces should be wiped over using a damp cloth to clean.
- Never clean with abrasive, ammonia based, bleach or spirit type cleaner

**IMPORTANT
KEEP FOR FUTURE REFERENCE & READ CAREFULLY**

**RACING CAR
BEDSIDE**

Follow us on
facebook 

www.facebook.com/kidsaw



INSTRUCTIONS

KIDSAW[®]
 MAKES FURNITURE CHILDS' PLAY